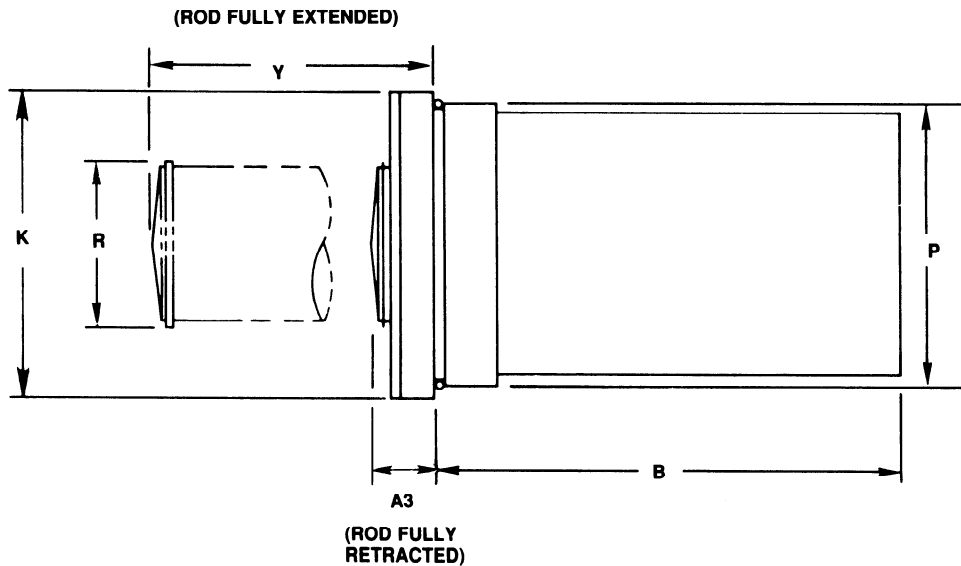




Manifold Systems
TSB Cartridge Cylinders

TELEDYNE FLUID SYSTEMS
Hyson Products



Force and Fixed Dimensions

Model Size	Max. Force at 1500 PSI or 103 BAR	Piston Diameter	Effective Piston Area	K	P	R	A3
1/2 Ton	1178 LBS.	1.0 IN.	.78 SQ. IN.	1.60 IN.	1-5/16-12	.87 IN.	.66 IN.
TSB .5	5,23 KN	25 MM	5.03 CM ²	41 MM		22 MM	17 MM
1+ Ton	2650 LBS.	1.5 IN.	1.77 SQ. IN.	2.12 IN.	1-7/8-12	1.08 IN.	.66 IN.
TSB 1+	11,78 KN	38 MM	11.4 CM ²	54 MM		27 MM	17 MM
2.5 Ton	5160 LBS.	2.09 IN.	3.44 SQ. IN.	2.75 IN.	2-1/2-12	1.37 IN.	.66 IN.
TSB 2.5	22,95 KN	53 MM	22.2 CM ²	70 MM		35 MM	17 MM
4 Ton	8124 LBS.	2.63 IN.	5.42 SQ. IN.	3.56 IN.	M 82 x 2 MM	1.86 IN.	.66 IN.
TSB 4	36,13 KN	67 MM	34.9 CM ²	90 MM		47 MM	17 MM

Note: All dimensions are nominal unless tolerance is stated.