



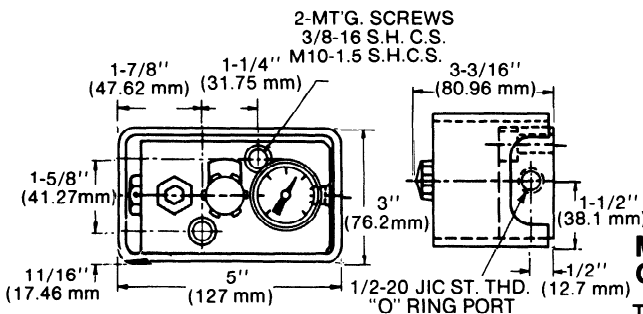
TELEDYNE HYSON

Control Panels

Model CP-1500 CP-1555 Quick Disconnect

The Hyson Super Nitro-Dyne panel units contain all of the necessary controls for charging, exhausting and reading pressure in the die system. The Control Panel should be located on the die or press in a position where it is readily accessible and the pressure gauge can be observed. Accurate and repeatable pressure settings are easily obtained with the CP-1500 panel. Each panel is equipped with an RD-2150 rupture disc to protect the unit from accidental overpressure.

ST'D. MODEL CP-1500 CONTROL PANEL
FOR HOSE CONNECTION



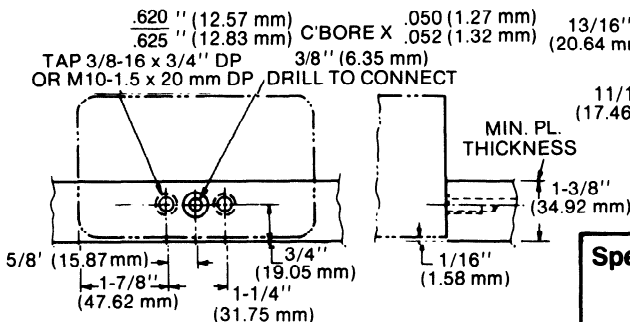
Reducing and/or Exhausting System Pressure

The knob on the CP-1500 Control Panel operates an exhaust valve to release system nitrogen to atmosphere. When filling and during die operation this valve should be closed tightly. Opening the valve permits nitrogen to escape and the system pressure can be lowered or completely exhausted.

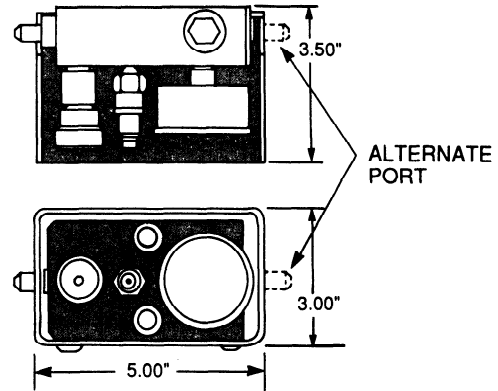
Manifold Mounting to Thin Plates Model CPM-1500-E CPM 1555-E Quick Disconnect

The Control Panel can be mounted to plates that are thinner than the height of the panel itself by specifying the model CPM-1500-E. Control Panel mounting surfaces must be 32RMS and flat to insure proper seal against the "O" ring.

THIN PLATE MANIFOLD MOUNTING MODEL
CPM-1500-E



CP-2000 Control Panel

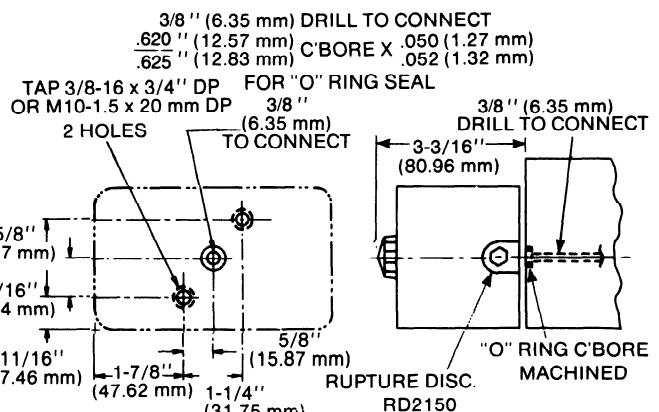


The Model CP-2000 Control Panel is designed specifically for use in higher pressure applications with frequent and wide pressure fluctuations.

Manifold Mounting, CPM-1500-M CPM 1555-M Quick Disconnect

The Control Panel is also available for direct mounting with an "O" ring seal to a finished manifold plate surface. This type of installation eliminates the need for a hose connection and provides a leak-free seal for the nitrogen. The photo above shows a typical installation of a Control Panel into a milled recess on the edge of the plate. Where possible such installations are very compact and provide maximum protection for daily handling in the press-room.

MANIFOLD MOUNTING MODEL
CPM-1500-M



Special: Quick disconnect available on all Hyson Control Panels. Ask for special data sheet for details.

[P/N 11-770-2700 Quick Disconnect]
[P/N 11-700-8555 Panel Fitting]