



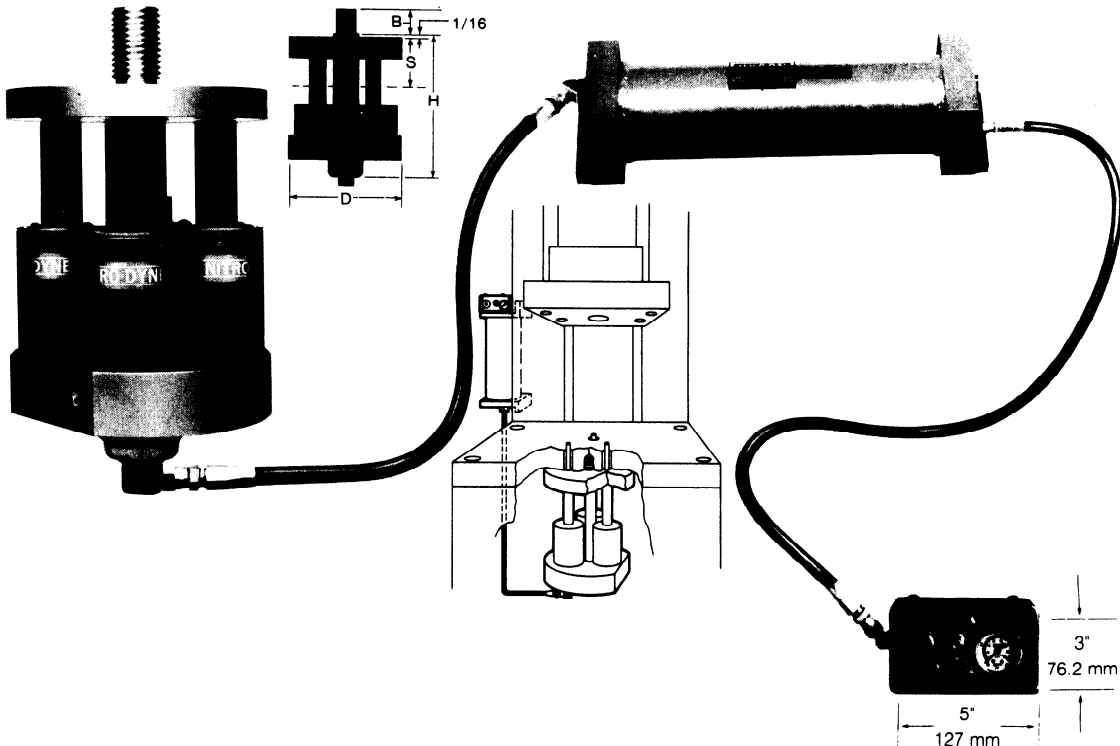
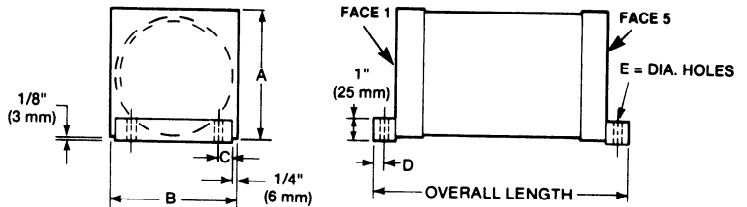
Standard Pre-Engineered Center Stud-Type

Model	Maximum Force Available		B Stud Length		D Plate Diam.		H Dimension w/ Die Open		T Stud Thread	S Maximum Working Travel		Cylinders in Cushion	Qty.	Tank Size
	lb.	kg.	in.	mm	in.	mm	in.	mm		in.	mm			
SPCQ-05	1990	900	.94	23.8	4.0	102	5.47	138.9	5/8-11	.5	13	BCQx.5	3	SCT-50
SPCQ-30	1990	900	.94	23.8	4.0	102	10.47	265.9	5/8-11	3	76	BCQx3	3	SCT-50
SPC-3	7950	3609	1.50	38.1	6.0	152	10.84	275.3	1-8	3	76	MOR1x3	3	SCT-160
SPC-7.5	15480	7020	1.88	47.6	7.5	191	11.59	294.3	1 1/4-7	3	76	MOR2.5x3	3	SCT-320
SPC-10	20640	9360	2.25	57.2	7.75	197	11.97	304	1 1/2-6	3	76	MOR2.5x3	4	SCT-320

(Cushions come complete as shown)

Standard Tank

Model		A	B	C	D	E
SCT-50	in.	4-1/4	4-1/2	1/2	1/2	7/16
	mm	108	114	13	13	11
SCT-160	in.	4-1/4	4-1/2	1/2	1/2	7/16
	mm	108	114	13	13	11
SCT-320	in.	5-7/8	6	1/2	1/2	7/16
	mm	149	152	13	13	11



Note: All dimensions are nominal unless tolerance is stated.