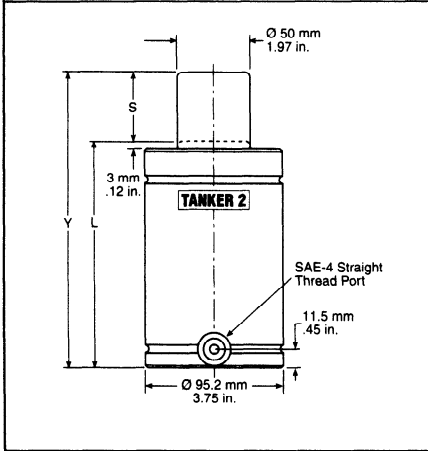




T2B-3000 (3^{3/4"}) DIAMETER GAS SPRINGS

Product Specifications:

- Pressure Medium Nitrogen Gas
- Charging Pressure Range Max.: 150 bar/2175 psi
Min.: 50 bar/725 psi
- Maximum Gas Spring Operating Temperature 80 C°/176 F°
- Maximum Piston Rod Velocity 35m/min
115 ft./min
- Maximum Utilized Stroke 100%
- Seal Kit Number Part No.: T2SK-3000
- Male Quick Disconnect (Charge Fitting) Part No.: T2-770-4



T2B-3000 Stroke Lengths									
Model	x	Stroke in	Contact Force lb _f	Full Stroke Force lb _f	L in	Y in	D in	E in	Gas Volume in ³
T2B-3000	x	5	6620	10,100	4.50	5.00	3.20	1.80	4.39
T2B-3000	x	1	6620	10,500	5.00	6.00	3.70	2.30	8.29
T2B-3000	x	1.5	6620	10,500	5.50	7.00	4.20	2.80	12.44
T2B-3000	x	2	6620	10,500	6.00	8.00	4.70	3.30	16.58
T2B-3000	x	2.5	6620	10,500	6.50	9.00	5.20	3.80	20.73
T2B-3000	x	3	6620	10,500	7.00	10.00	5.70	4.30	24.87
T2B-3000	x	3.5	6620	10,500	7.50	11.00	6.20	4.80	29.02
T2B-3000	x	4	6620	10,600	8.00	12.00	6.70	5.30	32.46
T2B-3000	x	4.5	6620	10,600	8.50	13.00	7.20	5.80	36.52
T2B-3000	x	5	6620	10,500	9.00	14.00	7.70	6.30	41.01
T2B-3000	x	5.5	6620	10,500	9.50	15.00	8.20	6.80	45.11
T2B-3000	x	6	6620	10,500	10.00	16.00	8.70	7.30	49.21

NOTE: Charted force values are based on 150bar/2175 psi charge. Please contact Customer Service for optional stroke lengths. Old P/N = T2-30/T2B-30

Force Calculations:

Select desired Model x Stroke

Pressure Rise for stroke used:

$$\text{Pressure Rise} = \frac{\text{Gas Volume (mm}^3\text{)}}{\text{Gas Volume (mm}^3\text{)} - [1963 \text{ mm}^2 \times \text{Stroke Used (mm)]}$$

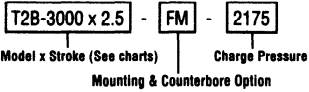
$$\text{Pressure Rise} = \frac{\text{Gas Volume (in}^3\text{)}}{\text{Gas Volume (in}^3\text{)} - [3.04 \text{ in}^2 \times \text{Stroke Used (in.)}]}$$

Force at stroke used:

$$\text{Force (N)} = \frac{\text{Pressure Rise} \times \text{Charge Pressure (bar)}}{0.0051}$$

$$\text{Force (lb}_f\text{)} = \frac{\text{Pressure Rise} \times \text{Charge Pressure (lb/in}^2\text{)}}{0.33}$$

Ordering Example:



Shipped charged at 150 bar/2175 psi, unless otherwise specified. Metric (M) and English (E) mounting threads available upon request. Specify mount counterbore for LM, FM & SF style mounts.

All dimensions are nominal unless tolerance is stated.

Mounting Threads

SF - Square Mount Style

NAAAS Code: N01 Prefix + Counterbore "SF"
N02 Prefix + Counterbore "SF1"

FC - Circular Flange Style

FMC - Three Hole Mount Style

FM - Four Hole Mount Style

LM - Lug Mount Style

SM - Side Mount Style

NOTE: Teledyne Fluid Systems, Hyson Products recommends that all Tanker 2 gas springs are backed up at all times. All dimensions are nominal unless tolerance is stated.