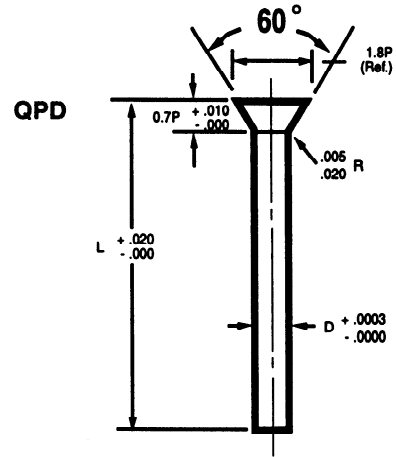
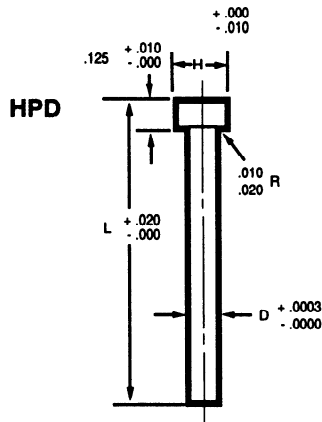




PIVOT PUNCH CORPORATION / BASIC SERIES
PRECISION BLANK PUNCHES

STEEL: M2 R/C 60-63
HEADS DRAWN TO R/C 40-50 (HPD)
(QPD)

HPD
HEAD TYPE
QPD
QUILL TYPE



UNIVERSAL CODE: 1004 & 1005 (SEE PAGE 175)

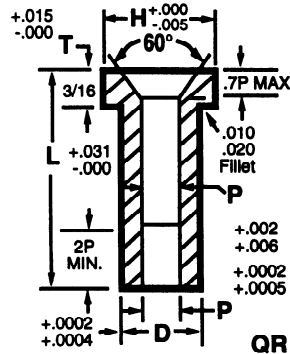
HPD Head H	Range D	Overall Length L				
		1 1/2	1 3/4	2	2 1/4	2 1/2
.125	.0400-.0630	X	X	X	X	X
.156	.0631-.0940	X	X	X	X	X
.188	.0941-.1250	X	X	X	X	X
.219	.1251-.1570	X	X	X	X	X
.250	.1571-.1880	X	X	X	X	X
.281	.1881-.2190	X	X	X	X	X
.312	.2190-.2500	X	X	X	X	X

HOW TO ORDER TYPE L P
HPD 2 .130

PRECISION RETAINERS

STEEL: A2 R/C 58-62

QR



CAT. NO.	D	H	P	Overall Length L				
				3/4	1	1 1/4	1 1/2	1 3/4
QR-18	3/16	5/16	.0625	X	X	X		
QR-25	1/4	3/8	.0938	X	X	X		
QR-31	5/16	7/16	.1250	X	X	X	X	X
QR-37	3/8	1/2	.1562	X	X	X	X	X
QR-43	7/16	9/16	.1875	X	X	X	X	X
QR-50	1/2	5/8	.2178	X	X	X	X	X
QR-62	5/8	3/4	.2500	X	X	X	X	X

HOW TO ORDER CAT. NO. OVERALL LENGTH "P"
QR-37 1 .1562