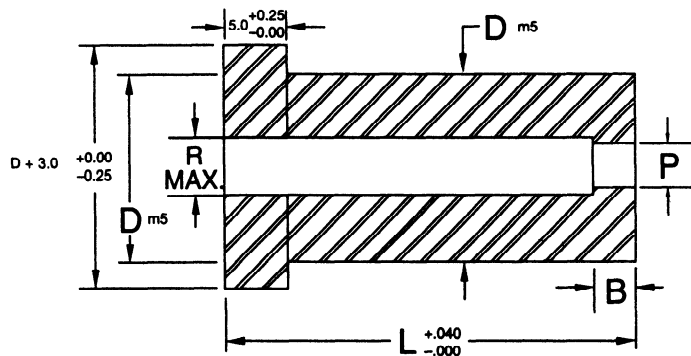
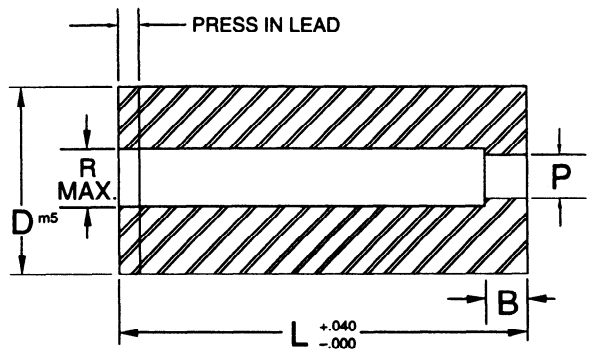
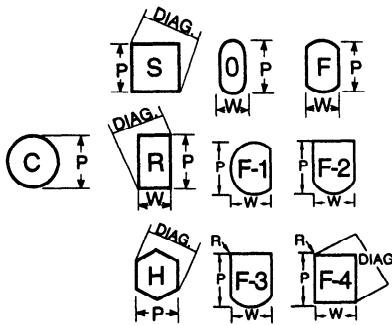




PIVOT PUNCH CORPORATION / BASIC SERIES METRIC  
**HEADLESS & HEADED DIE BUTTON**

STEEL: M-2 R/C 60/62

MD( )  
HEADLESS  
MH( )  
HEADED



Basic	Round P	+0.01	T.I.R. = 0.01
		-0.00	
	Shape P,W	±0.01	T.I.R. = 0.02

D	B	R.Max Alt.	Range P	Min Max W Diag.	Length = L						
					20	22	25	28	30	32	35
8.0	4.0	4.0	1.50-3.20	-	X	X	X	X	X	X	X
10.0	4.0	6.0	1.50-5.00	1.20-5.00	X	X	X	X	X	X	X
13.0	5.0	8.0	3.00-7.20	2.00-7.20	X	X	X	X	X	X	X
16.0	5.0	9.5	5.00-8.80	2.40-8.80	X	X	X	X	X	X	X
20.0	5.0	12.0	7.00-11.00	3.20-11.00	X	X	X	X	X	X	X
25.0	6.0	17.5	11.00-16.50	4.80-16.50	X	X	X	X	X	X	X
32.0	6.0	20.6	13.00-19.80	5.50-19.80	X	X	X	X	X	X	X
38.0	8.0	27.0	16.00-26.00	6.40-26.00	X	X	X	X	X	X	X

**HOW TO ORDER**

TYPE	DIA. CODE	LENGTH	"P"
MDC	13	25	3.50

**HOW TO ORDER**

TYPE	DIA. CODE	LENGTH	"P"
MHC	13	25	3.50