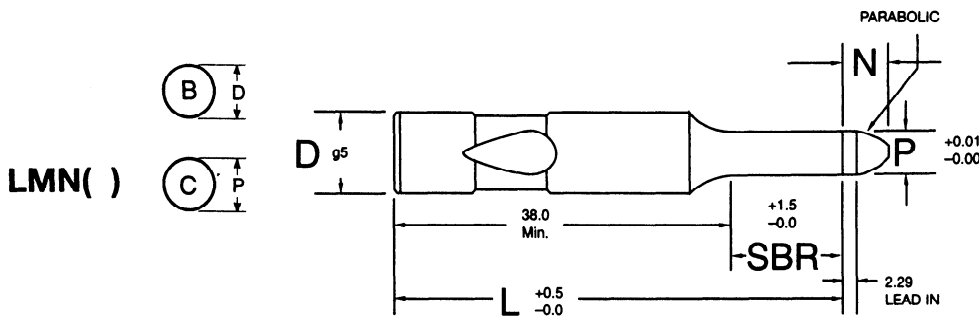




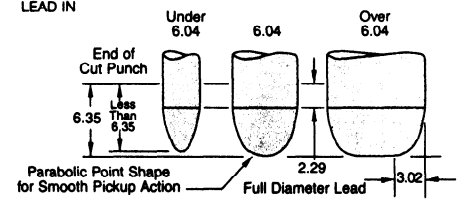
PIVOT PUNCH CORPORATION / BALL LOCK METRIC
LIGHT DUTY REGULAR PILOT

STEEL: M-2 R/C 60/62



LMN ()

Round P +0.01 T.I.R. = 0.01
-0.00

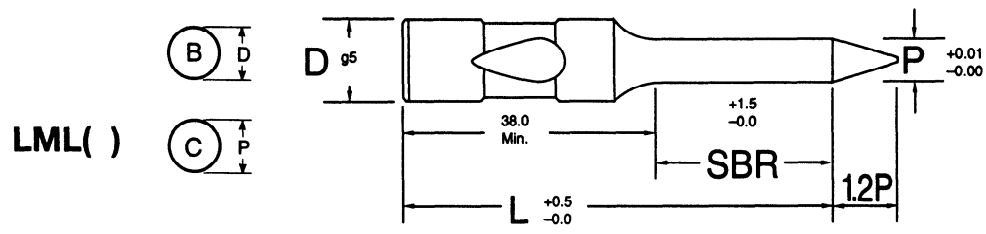


Shank D	Point Length B			Range "p"	Nose Length "N"	Length = L				
	ALT A	STD	ALT B			63	71	80	90	100
6.0	10	19	-	1.58-6.00	6.35	X	X	X	X	X
10.0	10	19	-	1.58-10.00	6.35	X	X	X	X	X
13.0	13	19	-	4.98-13.00	6.35	X	X	X	X	X
16.0	13	19	25	7.98-16.00	6.35	X	X	X	X	X
20.0	13	19	25	11.98-20.00	6.35	X	X	X	X	X
25.0	13	19	25	15.98-25.00	6.35	X	X	X	X	X
32.0	13	19	25	23.98-32.00	6.35		X	X	X	X
38.0	19	25	30	29.98-38.00	6.35			X	X	X

HOW TO ORDER

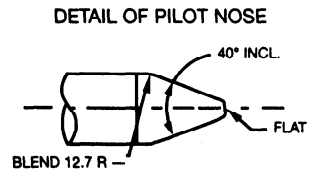
TYPE DIA. CODE LENGTH B "P"
LMNC 16 80 S 9.0

LIGHT DUTY LONG NOSE PILOT



LML ()

Round P +0.01 T.I.R. = 0.01
-0.00



Shank D	Point Length B			Range "p"	Length = L						
	ALT A	STD	ALT B		63	71	80	90	100	110	125
10.0	10	19	-	1.58-10.00	X	X	X	X	X	X	X
13.0	13	19	-	4.98-13.00	X	X	X	X	X	X	X
16.0	13	19	25	7.98-16.0	X	X	X	X	X	X	X
20.0	13	19	25	11.98-20.00	X	X	X	X	X	X	X
25.0	13	19	25	15.98-25.00	X	X	X	X	X	X	X
32.0	13	19	25	23.98-32.00		X	X	X	X	X	X
40.0	19	25	30	29.98-40.00			X	X	X	X	X

HOW TO ORDER

TYPE DIA. CODE LENGTH B "P"
LMLC 13 80 B 8.5