

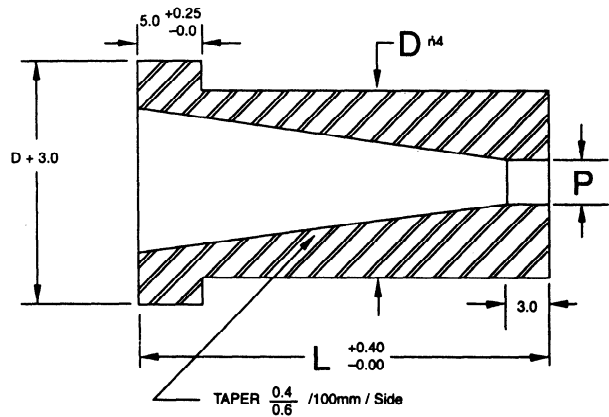
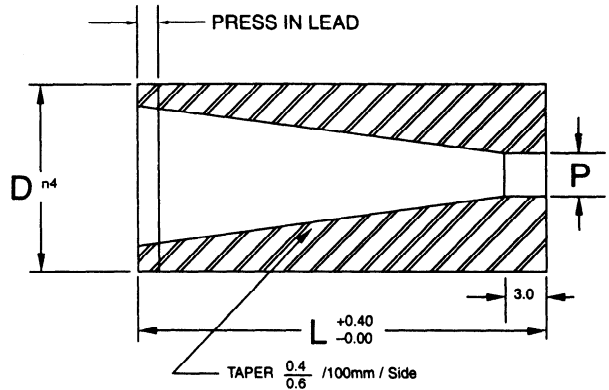
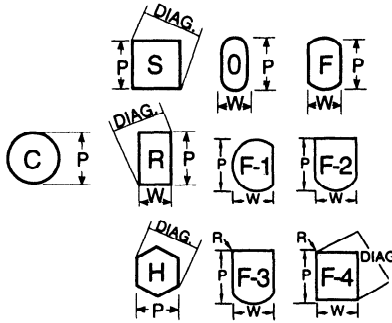


PIVOT PUNCH CORPORATION / SELECTIVE SERIES METRIC
HEADLESS & HEADED DIE BUTTONS

ROUND I.D.
Ground Taper Relief
M-2 High Speed Steel
RC 60-62

SHAPED I.D.
Wire-Cut Taper Relief
M-2 High Speed Steel
RC 60-62

MDG()
HEADLESS
MHG()
HEADED



Selective Tol. 1
Round & Shape +0.005
 -0.0 T.I.R. = 0.008

D	Round	Shape	Length = L								
	Range P	Min. Max. W DIAG.	13.0	16.0	20.0	22.0	25.0	28.0	30.0	32.0	35.0
6.0	1.60-3.20	1.30-3.20	X	X	X	X	X	X	X	X	X
8.0	2.40-5.40	1.30-5.40	X	X	X	X	X	X	X	X	X
10.0	3.20-6.80	1.30-6.80	X	X	X	X	X	X	X	X	X
13.0	5.40-8.80	1.90-8.80	X	X	X	X	X	X	X	X	X
16.0	7.40-10.80	1.90-10.80			X	X	X	X	X	X	X
20.0	9.50-13.60	1.90-13.60			X	X	X	X	X	X	X
25.0	12.00-17.00	1.90-17.00			X	X	X	X	X	X	X
32.0	16.00-22.00	1.90-22.00			X	X	X	X	X	X	X
40.0	18.00-27.00	1.90-27.00			X	X	X	X	X	X	X

HOW TO ORDER
TYPE: MDGC DIA. CODE: 16 LENGTH: 25 "P": 8.20

HOW TO ORDER
TYPE: MHGC DIA. CODE: 16 LENGTH: 25 "P": 8.20