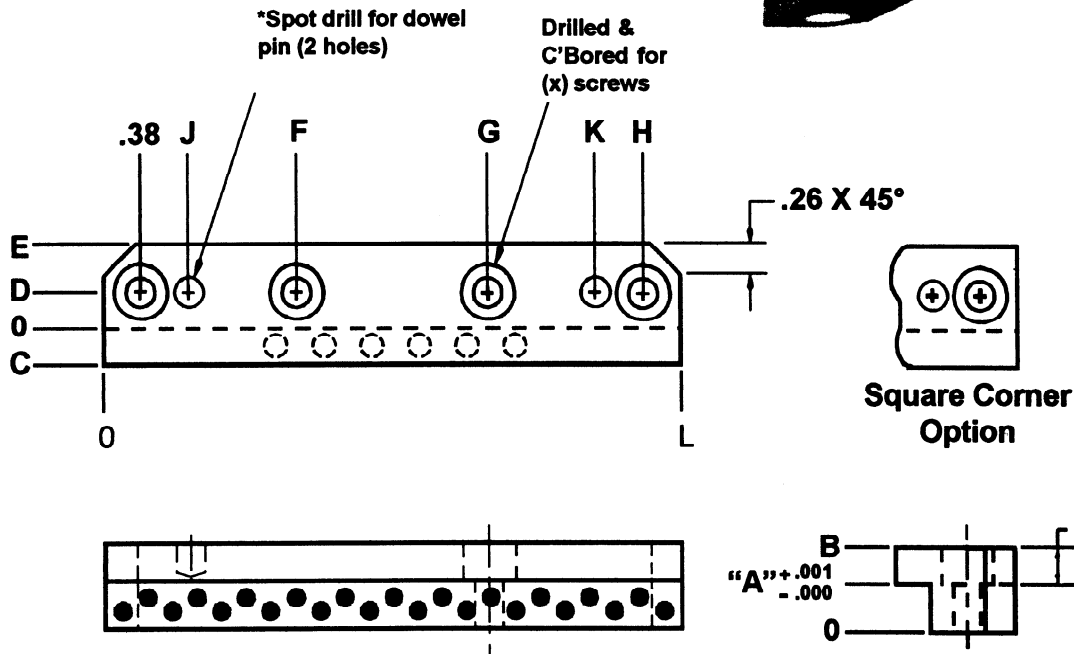
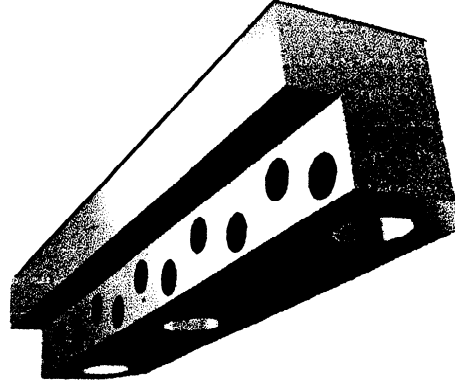




L-GIBS FOR GIB ASSEMBLIES

Aluminum Bronze with Self Lubricating Graphite Plugs

Material: Aluminum Bronze



CHAMFERED L-GIBS	SQUARE CORNER	L	W	A	B	C	D	E	F	G	H	J	K	X	
														HOLES	SIZE
L2GAL16G	L2GAL16GS	2.00	.75	.312	.75	.188	.28	.56	-	1.26	-	.79	1.74	2	1/4
L2GAL24G	L2GAL24GS	3.00							-	-	2.62	.88	2.12	2	
L2GAL32G	L2GAL32GS	4.00							2.00	-	3.62	.88	3.12	3	
L3GAL24G	L3GAL24GS	3.00	1.00	.375	.75	.250	.38	.75	-	-	2.62	.88	2.12	2	5/16
L3GAL32G	L3GAL32GS	4.00							2.12	-	3.62	.88	3.12	3	
L3GAL40G	L3GAL40GS	5.00							2.50	-	4.62	.88	4.12	3	
L4GAL24G	L4GAL24GS	3.00	1.25	.500	.88	.375	.38	.88	-	-	2.62	.88	2.12	2	5/16
L4GAL32G	L4GAL32GS	4.00							2.00	-	3.62		3.12	3	
L4GAL40G	L4GAL40GS	5.00							2.50	-	4.62		4.12	3	
L4GAL48G	L4GAL48GS	6.00							2.00	4.00	5.62		5.12	4	
L6GAL32G	L6GAL32GS	4.00	1.50	.750	1.25	.500	.44	1.00	2.00	-	3.62	.88	3.12	3	5/16
L6GAL40G	L6GAL40GS	5.00							2.50	-	4.62		4.12	3	
L6GAL48G	L6GAL48GS	6.00							2.00	4.00	5.62		5.12	4	