



TOE CLAMP TYPE

Bronze Plated, Solid Bronze and Steel

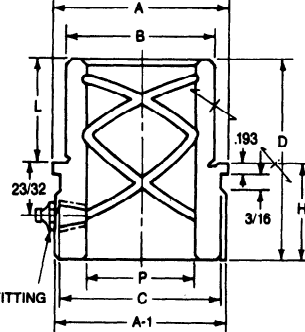
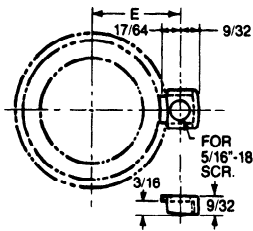
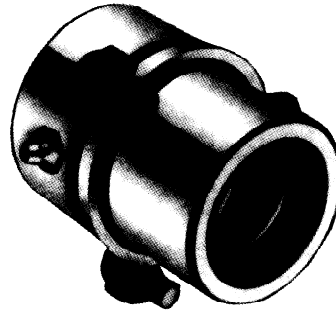
Lamina

*"B" diameter (ring fit) available finished ground to nominal + .000 - .0005

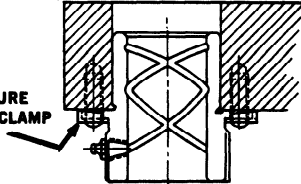
Specify Grind LDSS.

*"B" diameter also available with +.015 grindstock. Specify with Grindstock.

Bushings with assemblies include bushings, clamps and screws. Specify Bushing Number and Assembly.



HOLDING PRESSURE
4000# EACH "D" CLAMP



NOTE

All bronze plated shoulder bushings must be wring-fit in the die shoe. It is also recommended that Solid bronze shoulder bushings be mounted similarly.

Standard Shoulder

P NOM. PIN DIA.	A	A-1	B*	C	D OVER-ALL LENGTH	H HEAD LENGTH	L WRING-FIT LENGTH	BRONZE PLATED PART NO.	SOLID†† BRONZE PART NO.	HARDENED ** STEEL	NO. OF CLAMPS & SCREWS	E CLAMP
3/4	1-5/16	1-7/32	1.125	1-1/8	2-1/16	1-1/4	13/16	AC-750-S	AC-750-SB	AC-750-SS	2	55/64
7/8	1-9/16	1-15/32	1.375	1-3/8	2-1/8	1-1/4	7/8	AC-875-S			2	63/64
1	1-3/4	1-21/32	1.500	1-9/16	2-1/8	1-1/4	7/8	AC-100-S	AC-100-SB	AC-100-SS	3	1-5/64
					3-1/8		1-7/8	AC-100-L				
1-1/4	2-1/8	2-1/32	1.750	1-15/16	2-7/8	2	7/8	AC-125-S	AC-125-SB	AC-125-SS	3	1-17/64
					2-5/8		1-1/2	1-1/8	AC-125-L			
1-1/2	2-3/8	2-9/32	2.000	2-3/16	3-5/8	2	2-1/8	AC-150-S	AC-150-SB	AC-150-SS	3	1-25/64
					3-1/8		1-1/2	1-1/8	AC-150-L			
1-3/4	2-5/8	2-17/32	2.250	2-7/16	2-7/8	2	1-3/8	AC-175-S	AC-175-SB	AC-175-SS	3	1-33/64
					3-7/8		1-1/2	1-5/8	AC-175-L			
2	3-1/8	3-1/32	2.500	2-15/16	4-1/8	2	2-5/8	AC-200-S	AC-200-SB	AC-200-SS	4	1-49/64
					3-5/8		1-1/2	1-5/8	AC-200-L			
2-1/2	3-5/8	3-17/32	3.000	3-7/16	4-3/8	2	1-7/8	AC-250-S	AC-250-SB	AC-250-SS	4	2-1/64
					3-7/8		1-1/2	1-7/8	AC-250-L			
3	4-3/8	4-9/32	3.625	4-3/16	3-7/8	2	1-7/8	AC-300-S	AC-300-SB		6	2-25/64

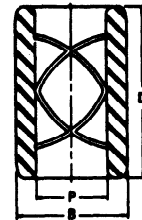
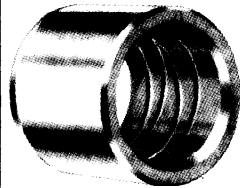
** Hardened Steel bushings not available in Class 1.

Long & Extra Long Shoulder – Bronze Plated

P NOM. PIN DIA.	A	A-1	B*	C	D OVER-ALL LENGTH	H HEAD LENGTH	L WRING-FIT LENGTH	PART NO.	NO. OF CLAMPS & SCREWS	E CLAMP
3/4	1-5/16	1-7/32	1.125	1-1/8	2-13/16	2	13/16	LAC-750-S	2	55/64
					3-9/16			2-3/4		
7/8	1-9/16	1-15/32	1.375	1-3/8	3	2-1/8	7/8	LAC-875-S	2	63/64
1	1-3/4	1-21/32	1.500	1-9/16	3-1/8	2-1/4	7/8	LAC-100-S	3	1-5/64
					4-3/8			3-1/2		
1-1/4	2-1/8	2-1/32	1.750	1-15/16	3-1/2	2-3/8	1-1/8	LAC-125-S	3	1-17/64
					4-5/8			3-1/2		
1-1/2	2-3/8	2-9/32	2.000	2-3/16	4-1/8	2-3/4	1-3/8	LAC-150-S	3	1-25/64
					4-7/8			3-1/2		
1-3/4	2-5/8	2-17/32	2.250	2-7/16	4-5/8	3	1-5/8	LAC-175-S	3	1-33/64
2	3-1/8	3-1/32	2.500	2-15/16	4-5/8	3	1-5/8	LAC-200-S	4	1-49/64
2-1/2	3-5/8	3-17/32	3.000	3-7/16	5-3/8	3-1/2	1-7/8	LAC-250-S	4	2-1/64
3	4-3/8	4-9/32	3.625	4-3/16	5-7/8	4	1-7/8	LAC-300-S	6	2-25/64

††Aluminum Bronze, Centrifugally Cast (ASTM-B-148-9C)

BRONZE PLATED PRECISION BEARINGS



P NOM. PIN DIA.	B	B	PART NO.
3/4	1.1258	1-3/4	B-6-175
	1.1264		B-7-175
7/8	1.3768	2	B-8-175
	1.3764		B-10-200
1	1.5018	3	B-12-200
	1.5014		B-14-300
1-1/4	1.7520	3	B-16-300
	1.7516		B-18-300
1-1/2	2.0020	3	B-20-300
	2.0016		B-22-300
7/8	1.3768	3	B-7-300
	1.3764		B-8-300
1	1.5018	3	B-10-300
	1.5014		B-12-300
1-1/4	1.7520	3	B-14-300
	1.7516		B-16-300
1-1/2	2.0020	3	B-18-300
	2.0016		B-20-300
2	2.5020	3	B-22-300
	2.5016		B-24-300
2-1/2	3.0020	3	B-26-300
	3.0018		B-28-300