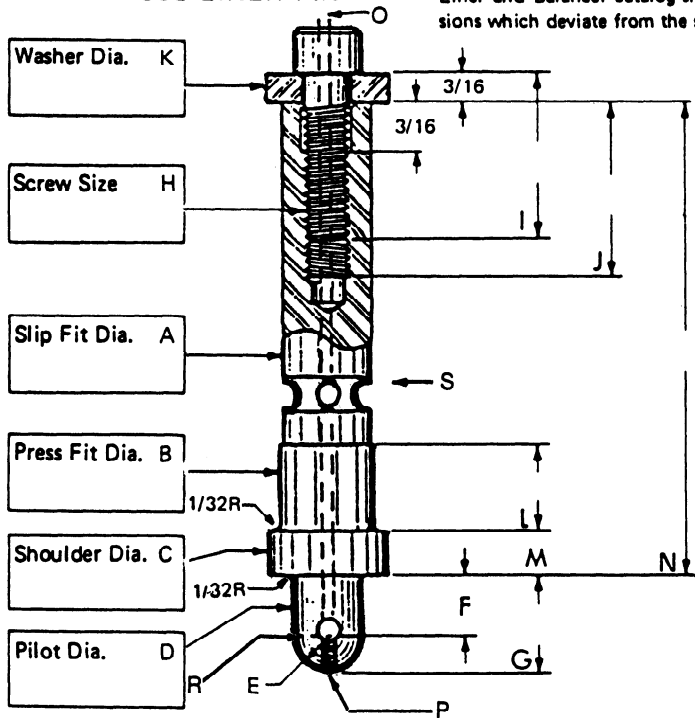




# T.R. JONES MACHINE COMPANY, INC.

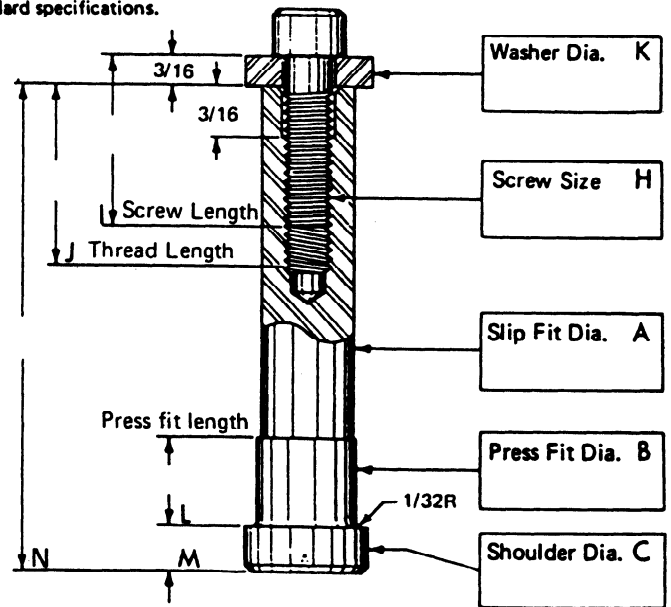
STANDARD SUB-LINER PIN AND BALANCER DIMENSIONS															
For fast CUSTOM WORK use Special Order Form below or submit drawings															
STYLE	A	B	C	D	E	F	G	H	I	J	K	L	M	N	
1	.4375	.440	9/16	5/16	5/32	5/16	15/32	1/4	20	3/4	1	5/8	1/2	1/8	2-1/2
2	.500	.5025	11/16	3/8	3/16	5/16	1/2	1/4	20	1	1-1/8	11/16	1/2	3/16	3
3	.5625	.565	3/4	7/16	7/32	3/8	19/32	5/16	18	1	1-1/8	3/4	5/8	1/4	3-1/2
4	.625	.6275	13/16	1/2	1/4	3/8	5/8	3/8	16	1	1-1/8	13/16	3/4	1/4	4
5	.750	.7525	15/16	1/2	1/4	7/16	11/16	3/8	16	1	1-1/8	15/16	3/4	5/16	4-1/2

### SUB-LINER PIN

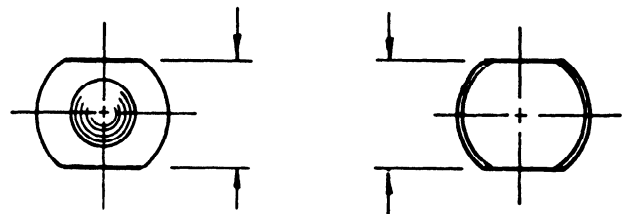


TO ORDER SPECIALS, indicate basic type number from Sub-Liner and Balancer catalog sheet and fill in ONLY those dimensions which deviate from the standard specifications.

### BALANCER PIN



### OPTIONAL FLATS



**CROSSHOLES**—for easy cap screw removal or lubrication. Indicate location(s) and size(s).

**NOTE: CONSIDER USING THESE WITH LAMINA BUSHINGS.**

QUANT.	DESCRIPTION	BASIC STYLE	MATERIAL	ROCKWELL NUMBER
	SUB-LINER			
	BALANCER			
	STOCKLIFTER/ GUIDE <small>(Reverse side of page)</small>			
	WASHER AND CAP SCREW			