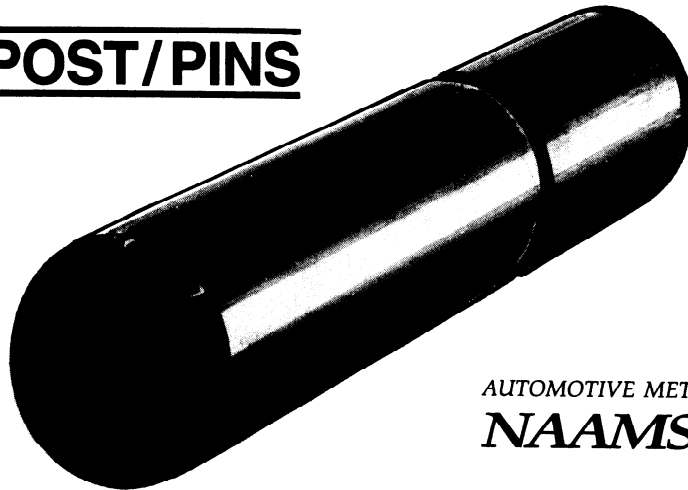




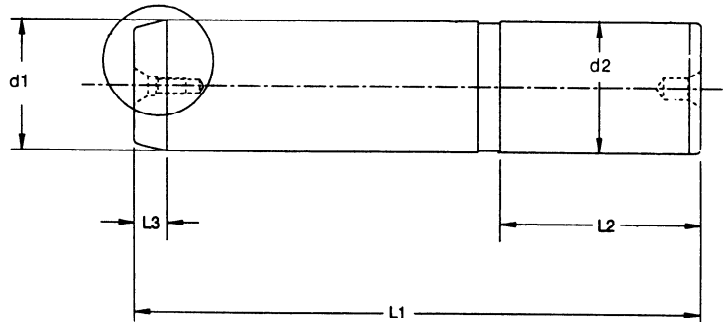
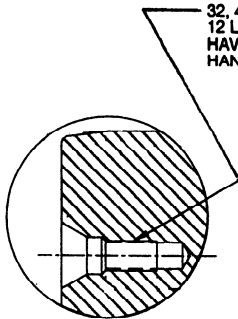
# Lamina DIE COMPONENTS

## GUIDE POST/PINS



AUTOMOTIVE METRIC  
**NAAMS** STANDARD

32, 40, 50, & 63 DIA. GUIDE POSTS TO HAVE M8 x 1.25 - 12 LONG THREAD; 80, 100, & 115 DIA. GUIDE POSTS TO HAVE M12 x 1.75 - 18 LONG THREAD TO FACILITATE HANDLING FROM DEEP FREEZE.



PART NO.	d1	d1 Tol	d2	d2 Tol	L1	L2	L3
G513214	32	-.009 -.025	32	+.050 +.034	140	45	8
G513216					160		
G513218					180		
G513220					200		
G514016	40	-.009 -.025	40	+.050 +.034	160	56	8
G514018					180		
G514020					200		
G514022					225		
G514025	250						
G515016	50	-.009 -.025	50	+.050 +.034	160	70	10
G515018					180		
G515020					200		
G515022					225		
G515025					250		
G515028					280		
G515031	315						
G516320	63	-.010 -.029	63	+.060 +.041	200	80	10
G516322					225		
G516325					250		
G516328					280		
G516331					315		
G516335					355		
G516340					400		
G516350					500		

PART NO.	d1	d1 Tol	d2	d2 Tol	L1	L2	L3
G518025	80	-.010 -.029	80	+.062 +.043	250	100	10
G518028					280		
G518031					315		
G518035					355		
G518040					400		
G518050	500						
G511031	100	-.012 -.034	100	+.073 +.051	315	125	10
G511035					355		
G511040					400		
G511050	500						
G511140	115	-.012 -.034	115	+.076 +.054	400	140	10
G511150					500		

**PRESS FIT END AVAILABLE  
WITH GRIND STOCK**

