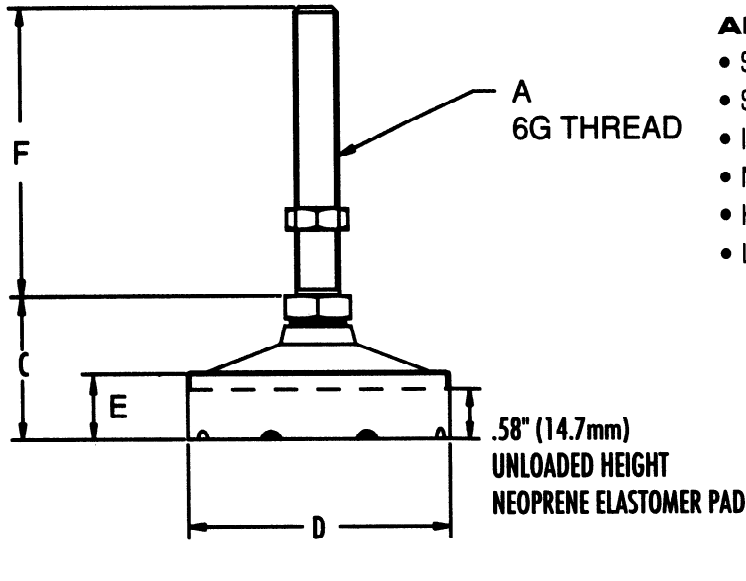


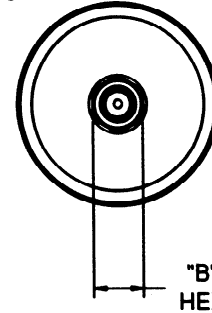


Vlier LMS Anti Vibration Leveler...the only swivel leveling device specifically designed to provide low frequency vibration isolation and shock attenuation.



APPLICATIONS:

- Sensitive electronic manufacturing equipment
- Semiconductor equipment
- Industrial machinery
- Machine tools
- High precision equipment
- Light machinery & equipment



LMS-Unified ANSI (Inches)									
	Part No.	Max load (lbs)	Max Deflection	(A)	(B)	(C)	(D)	(E)	(F)
Natural Frequency: 10-20 Hertz Transmissibility at Resonance: 8:1 Resilient Element: Black Neoprene Standard Materials: Black corrosion resistant steel Operating Temperature: -20°F to +180°F (-30°C to +82°C)	LMS-12042	400	.1	1/2-13	.75	1 5/8	3	.77	2
	LMS-12044	400	.1	1/2-13	.75	1 5/8	3	.77	4
	LMS-12082	800	.1	1/2-13	.75	1 5/8	3	.77	2
	LMS-12084	800	.1	1/2-13	.75	1 5/8	3	.77	4
	LMS-12122	1,200	.1	1/2-13	.75	1 5/8	3	.77	2
	LMS-12124	1,200	.1	1/2-13	.75	1 5/8	3	.77	4
LMS-Metric (mm)									
	Part No.	Max load (kg/lbs)	Max Deflection	(A)	(B) mm (in.)	(C) mm (in.)	(D) mm (in.)	(E) mm (in.)	(F) mm (in.)
	LMS-MI12042	180 kg	2.5 mm (.1)	M12 x 1.75	19 (.75)	41 (1 5/8)	76 (3)	19.6 (.77)	51 (2)
	LMS-MI12043	180 kg	2.5 mm (.1)	M12 x 1.75	19 (.75)	41 (1 5/8)	76 (3)	19.6 (.77)	84 (3 5/16)
	LMS-MI12082	360 kg	2.5 mm (.1)	M12 x 1.75	19 (.75)	41 (1 5/8)	76 (3)	19.6 (.77)	51 (2)
	LMS-MI12083	360 kg	2.5 mm (.1)	M12 x 1.75	19 (.75)	41 (1 5/8)	76 (3)	19.6 (.77)	84 (3 5/16)
	LMS-MI12122	550 kg	2.5 mm (.1)	M12 x 1.75	19 (.75)	41 (1 5/8)	76 (3)	19.6 (.77)	51 (2)
	LMS-MI12123	550 kg	2.5 mm (.1)	M12 x 1.75	19 (.75)	41 (1 5/8)	76 (3)	19.6 (.77)	84 (3 5/16)

FEATURES/BENEFITS:

Three Inch Radial Ring Neoprene Pad

- Uniform radial stiffness
- Low frequency isolation
- Maximum stability
- Greater deflection

Rubber-to-Metal Base Design

- Superior vibration control, shock attenuation and noise reduction
- Permanent bond between base and pad