



RV

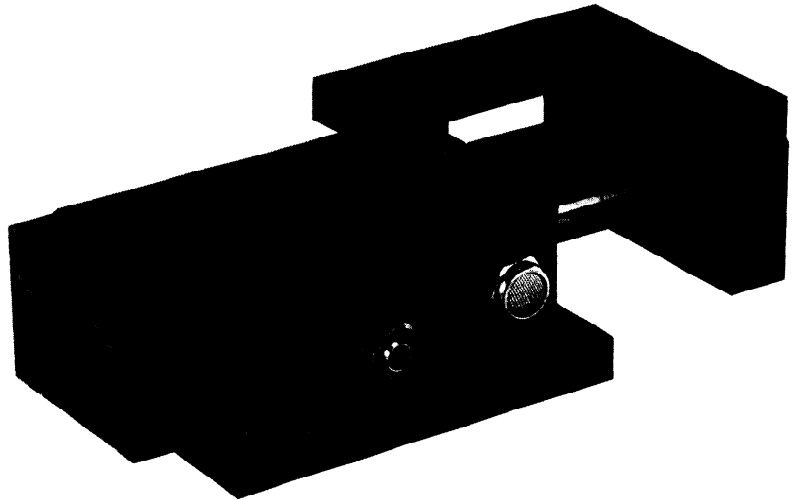
Pneumatic Vibrator

The Raymond Pneumatic Vibrator is an ideal solution for removing punchings, trimmings and scrap produced during press operations. The automatic and continuous removal keeps the press operator from interrupting production to clean away the punchings, trimmings and/or scraps by hand. The vibrator uses a pneumatic power source offering a cost effective alternative to electrically driven conveyor belts.

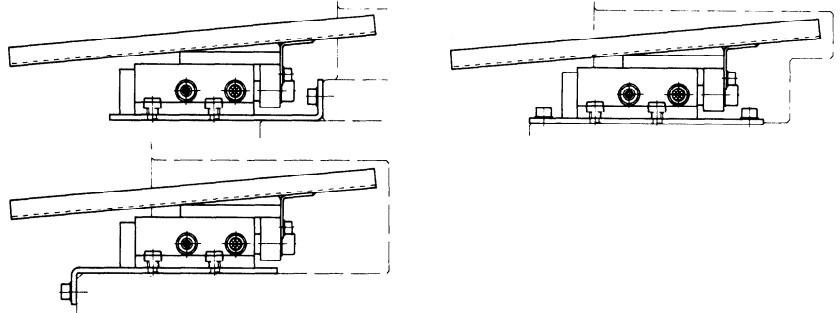
The pneumatic power source allows this unit to work in areas contaminated by lubricating fluids and oils. Unlike electrically driven systems with their inherent shock hazard, the Raymond Pneumatic Vibrator is safe to use as it consumes no electricity.

The compact design of the unit is made for working in the tight areas which are present on some presses. Easy to install, simply select the area for the unit, bolt it in place and connect it to your air supply. The low air consumption and silent running Raymond Pneumatic Vibrator is the safe and economical solution for your scrap removal needs.

Standard transport trays are available. For trays of more than .6m / 2 ft. in length, use the RV-12-S, RV-25-S and RV-50-S adjustable supports to avoid sagging of the tray. The tray mounts to the unit with two bolts and is quickly, easily and economically replaceable.

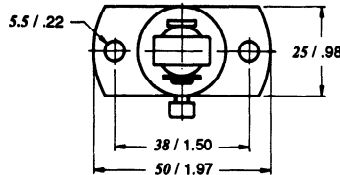
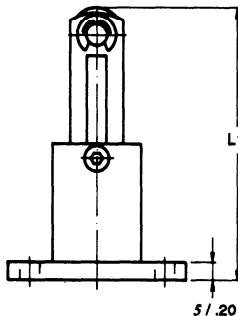


Mounting Examples—RV Pneumatic Vibrator

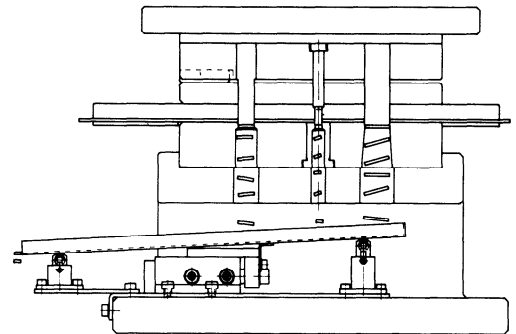


RV Pneumatic Vibrator

Adjustable Supports for trays greater than 2 ft. in length.



Application Example



Ordering Information — RV-12-S through RV-50-S

Order Number	L1 Min.	L1 Max.
RV-12-S	38.5 / 1.52	51 / 2.01
RV-25-S	51 / 2.01	76 / 2.99
RV-50-S	76 / 2.99	126 / 4.96

Dimensions in *millimeters / inches*