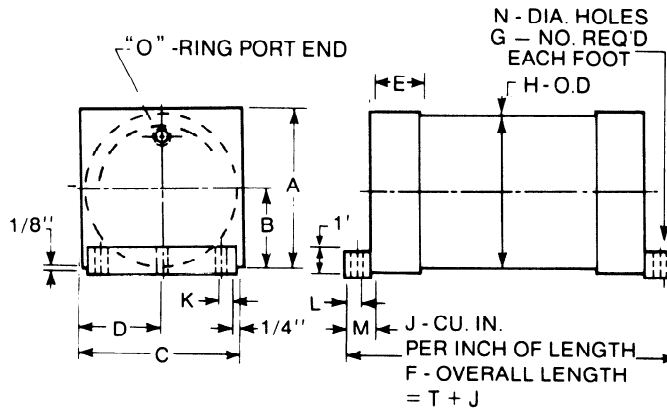




Special Compression Tanks

Special Compression Tanks can be manufactured to suit your special volume or length requirements. Allow 2-3 weeks for delivery.



Compression Tanks

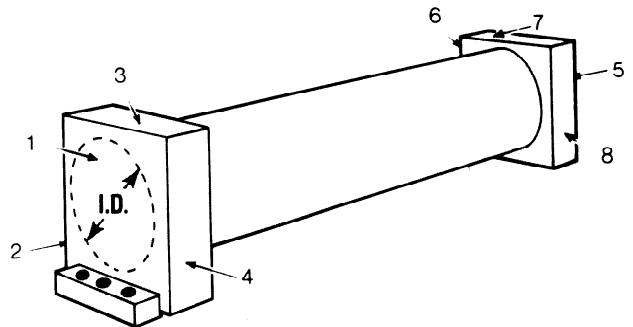
Model	T Base Length Zero Volume	A	B	C	D	E	F Overall Length	G	H	J Cu. In./ In. Of Length	K	L	M	N
SCT 3.5	6	4-1/4	2-1/8	4-1/2	2-1/4	1-9/16	T + J	2	4	8.89	1/2	1/2	1	7/16
SCT 5	6-1/2	5-7/8	2-15/16	6	3	1-13/16	T + J	2	5-9/16	18.19	1/2	1/2	1	7/16
SCT 8	8	8-7/8	4-7/16	10	5	2	T + J	3	8-5/8	45.7	3/4	3/4	1-1/2	11/16
SCT 10	8	11-1/4	5-5/8	12	6	2	T + J	4	11	78.5	3/4	3/4	1-1/2	11/16

Specify Port Locations:

The compression tank head is used as the base in which fittings/"O" ring ports are located for hose connections to the individual cylinders and/or Control Panel. The designer should specify the port size and location for easy hose attachment within the die. Refer to the tank diagram and table when ordering and specify the required port sizes and locations. Remember, a port is required for each cylinder, and one for the Control Panel.

Example: Size - SCT-3.5 F=32

2 (-5 ports) face 1 (1/2 x 20 Thd.) 3 (-8 ports) face 5 (3/4 x 16)



Tanks with less than 50 cubic inches of volume are not recommended.

The recommendations for maximum ports per face are made to permit use of elbow fittings.

MODEL	TUBE I.D.	MAXIMUM PORTS PER FACE	
		FACES 1 and 5	FACES 2,3,4,6,7,8
SCT 3.5	3.36	2	2
SCT 5	4.81	5	3
SCT 8	7.62	8	4
SCT 10	10.00	8	4