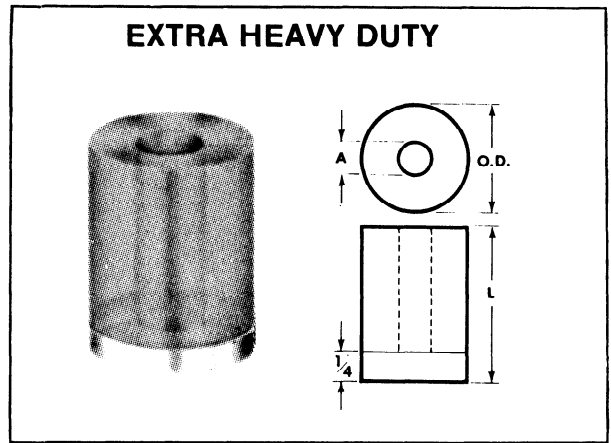
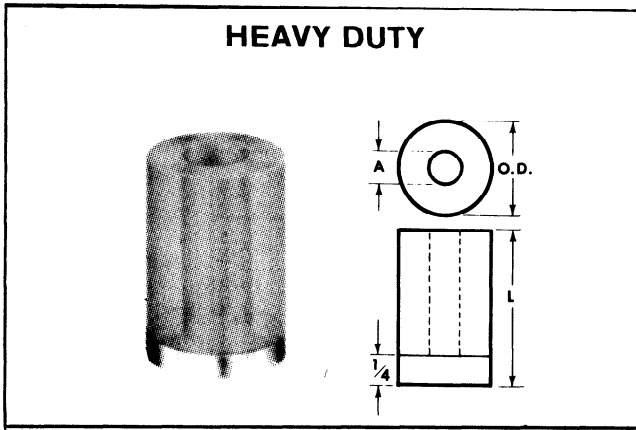




NOMARTM-URAFLEX[®]

Available in Heavy Duty
and Extra-Heavy Duty Types



CATALOG NUMBER	FITS PUNCH SHANK (A)	OUT-SIDE DIA. (O.D.)	LENGTH* (L)	LOAD POUNDS REQUIRED TO DEFLECT**		
				1/8"	1/4"	3/8"
HN50	1/2	1-1/8	1-1/4	580	830	N.R.
	1/2	1-1/8	1-1/2	510	765	N.R.
	1/2	1-1/8	1-3/4	465	680	830
	1/2	1-1/8	2	425	620	780
	1/2	1-1/8	2-1/4	405	580	735
HN62	5/8	1-1/4	1-1/4	665	955	N.R.
	5/8	1-1/4	1-1/2	585	885	N.R.
	5/8	1-1/4	1-3/4	535	785	955
	5/8	1-1/4	2	490	720	900
	5/8	1-1/4	2-1/4	465	665	845
HN75	3/4	1-1/2	1-1/2	855	1265	N.R.
	3/4	1-1/2	1-3/4	770	1135	1380
	3/4	1-1/2	2	700	1035	1300
	3/4	1-1/2	2-1/4	670	960	1220
	3/4	1-1/2	2-1/2	630	895	1135
HN87	7/8	1-3/4	1-1/2	1165	1725	N.R.
	7/8	1-3/4	1-3/4	1045	1540	1875
	7/8	1-3/4	2	955	1405	1770
	7/8	1-3/4	2-1/4	910	1310	1660
	7/8	1-3/4	2-1/2	855	1220	1540
HN100	1	2	1-1/2	1520	N.R.	N.R.
	1	2	1-3/4	1365	N.R.	N.R.
	1	2	2	1450	1840	N.R.
	1	2	2-1/4	1190	1710	N.R.
	1	2	2-1/2	1120	1590	N.R.

CATALOG NUMBER	FITS PUNCH SHANK (A)	OUT-SIDE DIA. (O.D.)	LENGTH* (L)	LOAD POUNDS REQUIRED TO DEFLECT**		
				1/8"	1/4"	3/8"
XHN50	1/2	1-1/4	1-1/4	750	1070	N.R.
	1/2	1-1/4	1-1/2	655	990	N.R.
	1/2	1-1/4	1-3/4	600	880	1070
	1/2	1-1/4	2	545	805	1010
	1/2	1-1/4	2-1/4	520	745	950
XHN62	5/8	1-1/2	1-1/4	1210	1735	N.R.
	5/8	1-1/2	1-1/2	1065	1600	N.R.
	5/8	1-1/2	1-3/4	970	1425	1735
	5/8	1-1/2	2	885	1300	1635
	5/8	1-1/2	2-1/4	845	1210	1535
XHN75	3/4	1-3/4	1-1/2	1265	1875	N.R.
	3/4	1-3/4	1-3/4	1140	1680	2045
	3/4	1-3/4	2	1040	1530	1925
	3/4	1-3/4	2-1/4	990	1425	1805
	3/4	1-3/4	2-1/2	935	1325	1680
XHN87	7/8	2	1-1/2	1640	N.R.	N.R.
	7/8	2	1-3/4	1475	N.R.	N.R.
	7/8	2	2	1345	1980	N.R.
	7/8	2	2-1/4	1285	1840	N.R.
	7/8	2	2-1/2	1205	1715	N.R.
XHN100	1	2-1/4	1-1/2	2060	N.R.	N.R.
	1	2-1/4	1-3/4	1850	N.R.	N.R.
	1	2-1/4	2	1690	2490	N.R.
	1	2-1/4	2-1/4	1610	2315	N.R.
	1	2-1/4	2-1/2	1515	2155	N.R.
XHN125	1-1/4	2-1/2	2	1950	2870	N.R.
	1-1/4	2-1/2	2-1/4	1860	2670	N.R.
	1-1/4	2-1/2	2-1/2	1750	2485	N.R.
	1-1/4	2-1/2	2-3/4	1675	2345	2955
	1-1/4	2-1/2	3	1530	2225	2780
XHN150	1-1/2	2-3/4	2	2210	3255	N.R.
	1-1/2	2-3/4	2-1/4	2105	3025	N.R.
	1-1/2	2-3/4	2-1/2	1980	2816	N.R.
	1-1/2	2-3/4	2-3/4	1900	2660	3345
	1-1/2	2-3/4	3	1730	2525	3150

NOTE: Since Pivot NomarTM Strippers are noncompressible, their diameter at the mid-section will expand in direct proportion to the percentage of deflection. For example, if a HN 62-2 stripper is deflected 10% (.200") its diameter at the midsection will be increased by 10% from 1.250" to 1.375". Allowance for this expansion must be made in order to prevent punch distortion or breakage.

NOTE: All values in this publication are based on tests as free standing cylinders or sections with ends unattached. Confinement of any portion of the diameter or periphery, or bonding of ends to restrict lateral movement will substantially increase these values. Conversely, lubrication of ends will assist lateral movement, and will tend to reduce these values.