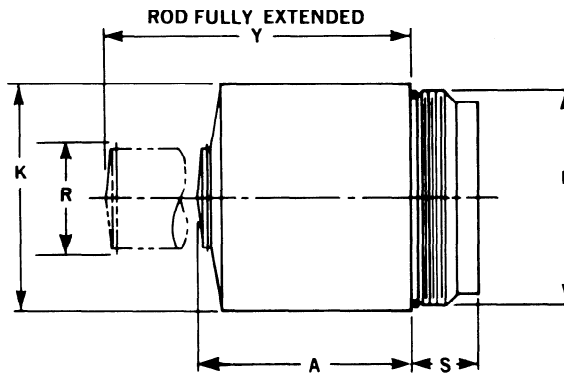




Manifold Systems MOR Cartridge Cylinders

TELEDYNE FLUID SYSTEMS
Hyson Products



Force and Fixed Dimensions

Size Model	Max. Force at 1500 PSI or 103 BAR	Piston Diameter	Effective Piston Area	K	P	R	S
1/2 Ton	1178 LBS.	1.0 IN.	.78 SQ. IN.	1.60 IN.	1-5/16-12	.87 IN.	.88 IN.
MOR .5	5,23 KN	25 MM	4.9 CM ²	41 MM		22 MM	22 MM
1+ Ton	2650 LBS.	1.5 IN.	1.77 SQ. IN.	2.12 IN.	1-7/8-12	1.08 IN.	.72 IN.
MOR 1+	11,78 KN	38 MM	11.4 CM ²	54 MM		27 MM	18 MM
2.5 Ton	5160 LBS.	2.09 IN.	3.44 SQ. IN.	2.75 IN.	2-1/2-12	1.37 IN.	1.0 IN.
MOR 2.5	22,95 KN	53 MM	22.2 CM ²	70 MM		35 MM	25 MM
4 Ton	8124 LBS.	2.63 IN.	5.42 SQ. IN.	3.56 IN.	M 82 x 2 MM *	1.86 IN.	1.25 IN.
MOR 4	36,13 KN	67 MM	36.2 CM ²	90 MM		47 MM	32 MM
6 Ton	11,970 LBS.	3.19 IN.	7.98 SQ. IN.	4.31 IN.	M 100 x 2 MM **	2.51 IN.	1.25 IN.
MOR 6	53,24 KN	81 MM	51.5 CM ²	109 MM		64 MM	32 MM

* Also available in English Thread 3-1/4-12.

** Also available in English Thread 4-12.

Note: All dimensions are nominal unless tolerance is stated.