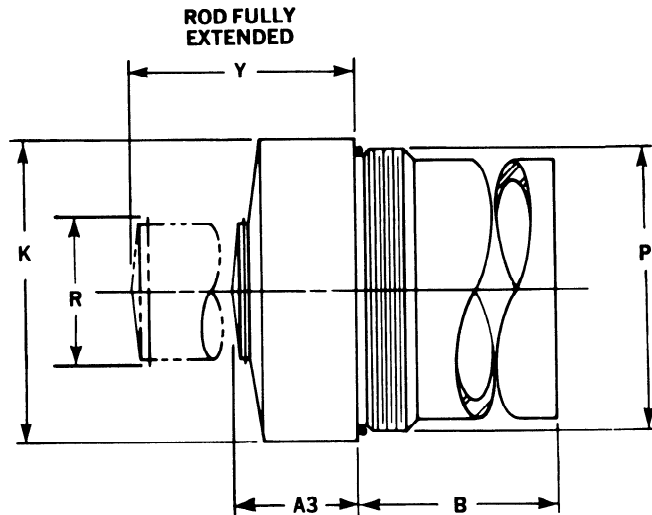




## Manifold Systems MORD Cartridge Cylinder

TELEDYNE FLUID SYSTEMS  
Hyson Products



**Force and Fixed Dimensions**

Model Size	Max. Force at 1500 PSI or 103 BAR	Piston Diameter	Effective Piston Area	K	P	R	A3
1/2 Ton	1178 LBS.	1.0 IN.	.78 SQ. IN.	1.60 IN.	1-5/16-12	.87 IN.	1.66 IN.
MORD .5	5,23 KN	25 MM	5.03 CM <sup>2</sup>	41 MM		22 MM	42 MM
1+ Ton	2650 LBS.	1.5 IN.	1.77 SQ. IN.	2.12 IN.	1-7/8-12	1.08 IN.	1.66 IN.
MORD 1+	11,78 KN	38 MM	11.4 CM <sup>2</sup>	54 MM		27 MM	42 MM
2.5 Ton	5160 LBS.	2.09 IN.	3.44 SQ. IN.	2.75 IN.	2-1/2-12	1.37 IN.	1.66 IN.
MORD 2.5	22,95 KN	53 MM	22.2 CM <sup>2</sup>	70 MM		35 MM	42 MM
4 Ton	8124 LBS.	2.63 IN.	5.42 SQ. IN.	3.56 IN.	M 82 x 2 MM	1.86 IN.	1.66 IN.
MORD 4	36,13 KN	67 MM	34.9 CM <sup>2</sup>	90 MM		47 MM	42 MM
6 Ton	11,970 LBS.	3.19 IN.	7.98 SQ. IN.	4.31 IN.	M 100 x 2 MM	2.51 IN.	1.66 IN.
MORD 6	53,24 KN	81 MM	51.5 CM <sup>2</sup>	109 MM		64 MM	42 MM

Note: All dimensions are nominal unless tolerance is stated.