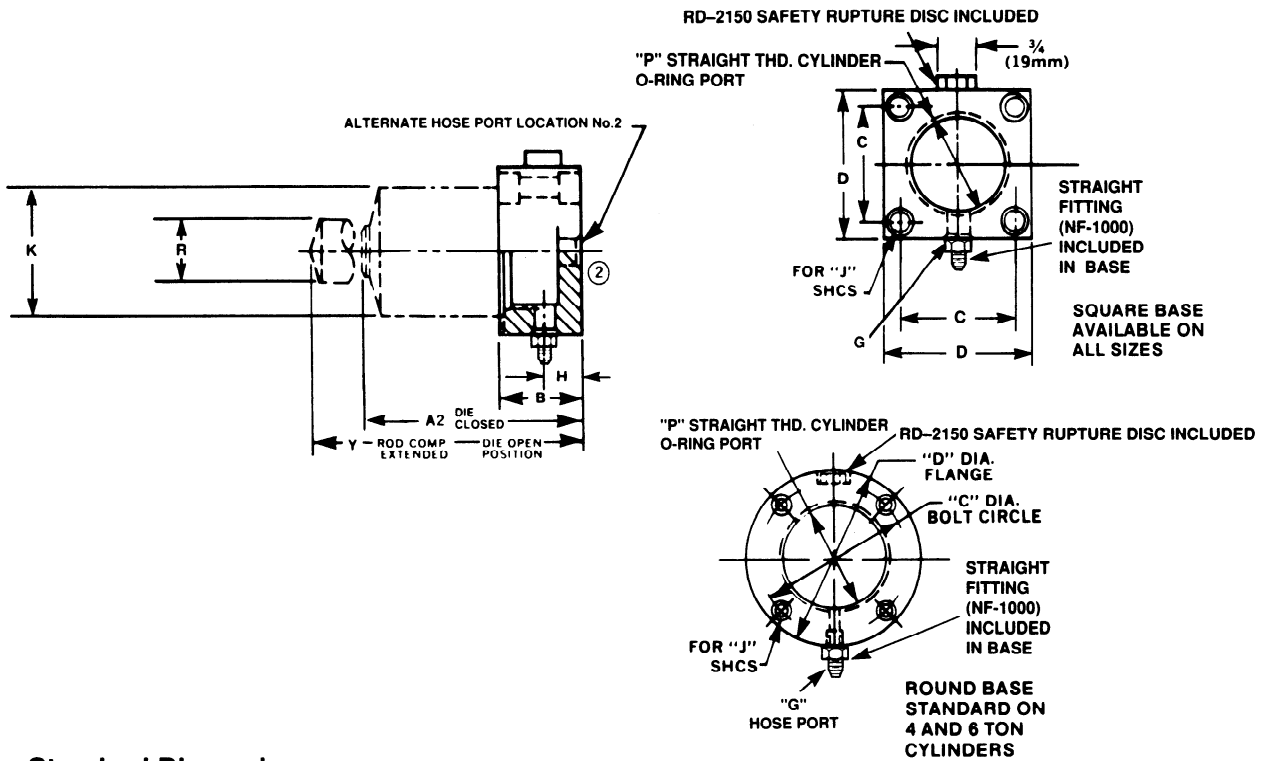




## Hose & Tank Systems

### Base Mounted Cylinders

**TELEDYNE FLUID SYSTEMS**  
Hyson Products



### Standard Dimensions

Model	Max. Force at 1500 P.S.I. or 103,45 BAR	K	R	B	C	D	G	H	J	P	Recommended Hose*
BCQB	660 lbs.	1.31	.46	1.11	1.38	2.0	1/2-20 SAE O-Ring	.50	1/4	1-1/16-12 SAE O-Ring	NH-250
Square	2.94 kN	33 mm	12 mm	28 mm	35 mm	51 mm		13 mm	M6		
MORB .5	1178 lbs.	1.60	.85	1.38	1.62	2.25	1/2-20 SAE O-Ring	.50	5/16	1-5/16-12 SAE O-Ring	NH-250
Square	5.24 kN	41 mm	22 mm	35 mm	41 mm	57 mm		13 mm	M8		
MORB 1+	2650 lbs.	2.12	1.08	1.38	2.12	2.75	1/2-20 SAE O-Ring	.62	5/16	1-7/8-12 SAE O-Ring	NH-250
Square	11.79 kN	54 mm	27 mm	35 mm	54 mm	70 mm		16 mm	M8		
MORB 2.5	5160 lbs.	2.75	1.37	1.50	2.75	3.5	1/2-20 SAE O-Ring	.75	3/8	2-1/2-12 SAE O-Ring	NH-250
Square	22.95 kN	70 mm	35 mm	38 mm	70 mm	89 mm		19 mm	M10		
MORB 4S	8124 lbs.	3.56	1.86	2.0	3.5	5.0	3/4-16 SAE O-Ring	1.0	1/2	M82x2 Straight THD O-Ring	NH-375
Square	36.14 kN	90 mm	47 mm	51 mm	89 mm	127 mm		25 mm	M12		
MORB 4	8124 lbs	3.56	1.86	2.0	5.0(dia.)	6.0(dia.)	3/4-16 SAE O-Ring	1.0	1/2	M82x2 Straight THD O-Ring	NH-375
Round	36.14 kN	90 mm	47 mm	51 mm	127 mm	152 mm		25 mm	M12		
MORB 6S	11970 lbs	4.31	2.51	2.0	4.25	5.5	3/4-16 SAE O-Ring	1.0	1/2	M100x2 Straight THD O-Ring	NH-375
Square	53.24 kN	109 mm	64 mm	51 mm	108 mm	140 mm		25 mm	M12		
MORB 6	11970 lbs.	4.31	2.51	2.0	6.0(dia.)	7.0(dia.)	3/4-16 SAE O-Ring	1.0	1/2	M100x2 Straight THD O-Ring	NH-375
Round	53.24 kN	109 mm	64 mm	51 mm	152 mm	178 mm		25 mm	M12		

\* Use the recommended hose listed here if each cylinder is hoses individually to the compression tank. To connect cylinders in series see page 20.06.01 for correct hose size.

**Note: All dimensions are nominal unless tolerance is stated.**