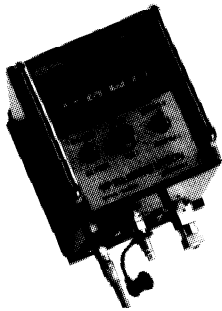
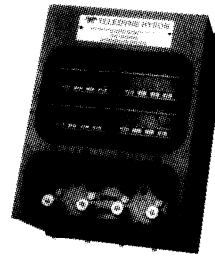


**TELEDYNE HYSON**
Nitro-Guard Digital Pressure Monitors**DPM-2055****QPM-2055**

Nitro-Guard digital pressure monitors from Teledyne Hyson automatically monitor nitrogen pressure in manifolds or Tanker® self-contained cylinders. These units:

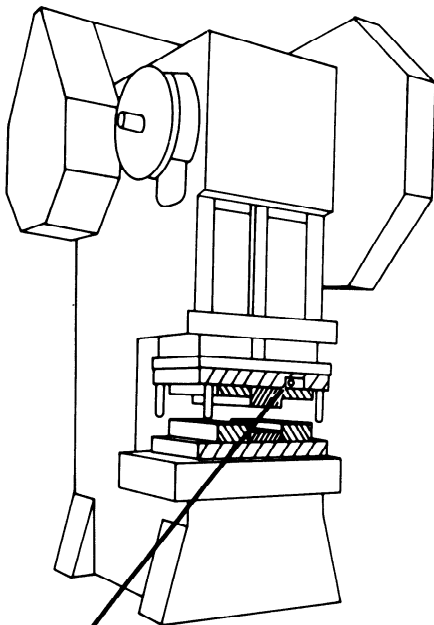
- Reduce downtime
- Reduce scrap
- Protect presses and dies
- Increase productivity
- Compact and easy to use

The Nitro-Guard DPM-2055 is for monitoring a single pressure system, while the Nitro-Guard QPM-2055 allows for simultaneous monitoring of four individual nitrogen pressure systems.

Teledyne Hyson Nitro-Guard digital pressure monitors feature:

- Built-in external control panel
- Warning siren (DPM-2055 only)
- Large neon readout
- State-of-the-art, all electronic circuitry
- Low pressure warning light
- Safety rupture disc

MONITOR NITROGEN PRESSURE TO REDUCE SCRAP

**NITROGEN
MANIFOLD****(NO PRESSURE — NO PARTS!)**

APM-1500

**AUTOMATIC
PRESSURE MONITOR**

- Protects dies
- Adjusts easily
- Assures consistent quality

The APM-1500 signals the press operator and/or stops the press if the nitrogen pressure drops below the required level.

**Quick and easy installation on new or
existing Super Nitro-Dyne systems**