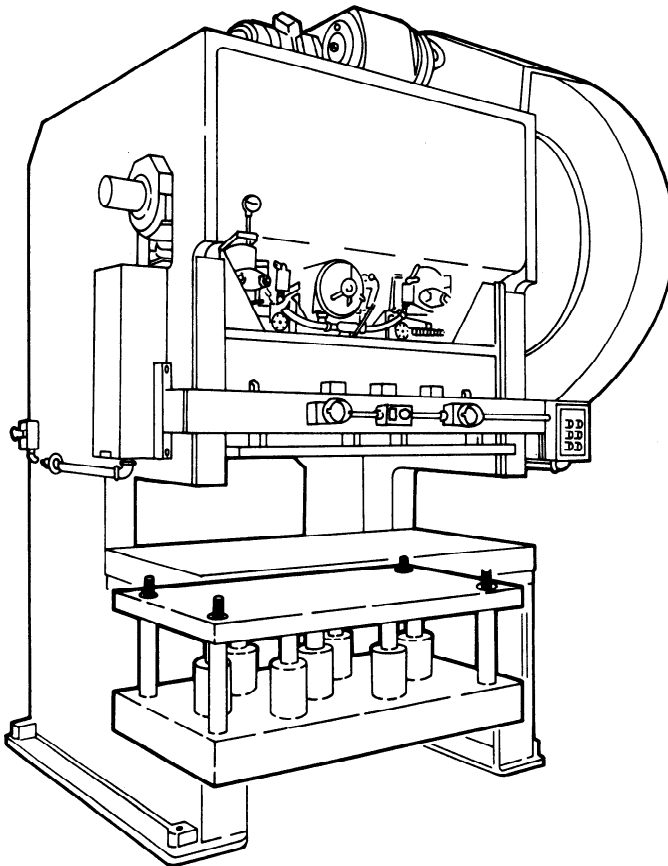


**Cushions**  
*Cushion Design***TELEDYNE FLUID SYSTEMS**  
Hyson Products**Typical 4 Post Stud Cushion**

Teledyne Fluid Systems, Hyson Products provides some unique benefits with our 4 post cushion design.

**1. The Stop Collar**

The main reason for the stop collar is to protect the cylinders from getting crushed should the cushion try to exceed the predesigned stroke. The positioning of the stop collar allows for plenty of room under the pin plate to locate cylinders for concentrated force.

**2. Threaded Stud**

This allows for ease of assembling the cushion to the back of the bolster plate. The threaded studs go through the manifold plate and are tightened with a hex nut. When tightening the cushion to the bolster, the threaded stud enables proper torquing of each stud without providing undue stress on the threads.

**3. Guide Tube**

The clearance between the guide tube and the mounting stud provides for any misalignment of mounting holes in the back of the bolster.

