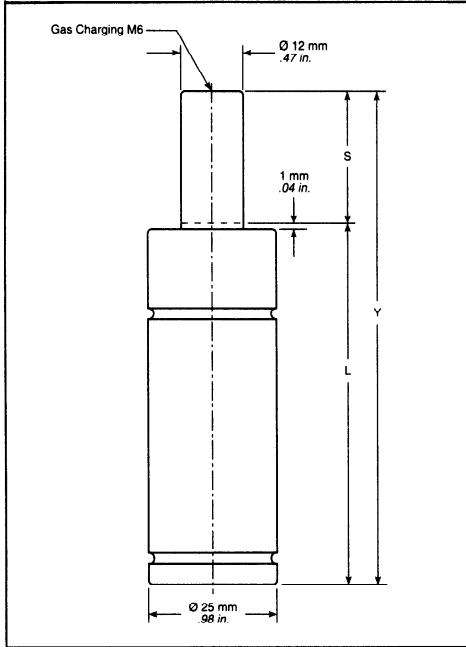




## T2-180 25mm (1") DIAMETER GAS SPRINGS



### Product Specifications

- Pressure Medium ..... Nitrogen Gas
- Charging Pressure Range ..... Max.: 180 bar/2610 psi  
Min.: 45 bar/653 psi
- Maximum Gas Spring Operating Temperature ..... 80 C°/176 F°
- Maximum Piston Rod Velocity ..... 35m/min  
115 ft./min
- Maximum Utilized Stroke ..... 100%
- Male Quick Disconnect (Charging) ..... Part No.: T2-770-M6

**NOTE:** The tapped hole in the piston rod is intended for charging purposes only.

T2-180 Stroke Lengths					
Stroke		Y	L	D	E
0.28	in.	2.20	1.93	1.08	1.12
0.59	in.	2.83	2.24	1.40	1.44
0.98	in.	3.62	2.64	1.79	1.83
1.50	in.	4.65	3.15	2.31	2.35
1.97	in.	5.59	3.62	2.78	2.82
3.15	in.	8.07	4.92	3.92	4.15

T2-180 Die Contact Force		
Color	Die Contact Force Pounds (N)	Charge Pressure PSI (bar)
Yellow	458 (2036)	2610 (180)
Red	343 (1527)	1960 (135)
Blue	229 (1018)	1305 (90)
Green	114 (509)	655 (45)

**NOTE:** T2-180 is available with a Black rod wiper which indicates a custom charge pressure.

Please contact Customer Service for custom charge pressures.

All dimensions are nominal unless tolerance is stated.

Old P/N = T2-01

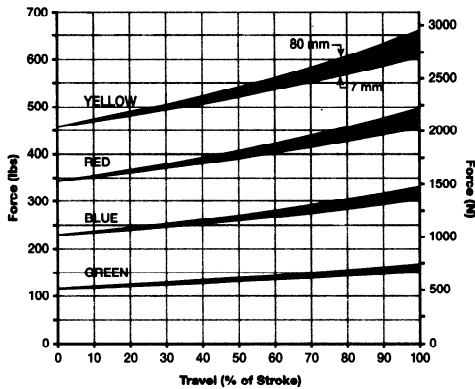
### Ordering

**Example:** T2-180 x 25 - FCR - Green  
 Model                      Stroke                      Flange (if required)                      Color (See chart)

Shipped charged at 180 bar/2610 psi, unless otherwise specified.

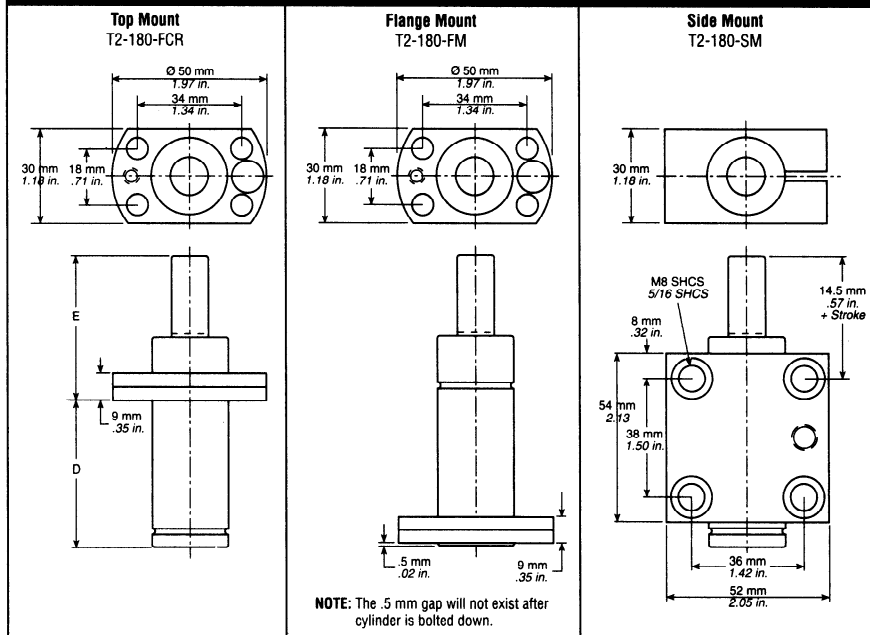
### T2-180 Force Chart

For 7mm and 80mm Stroke Lengths



**NOTE:** Colors designate factory preset pressure.  
All forces are nominal.

### T2-180 Mounting Styles



**NOTE:** The .5 mm gap will not exist after cylinder is bolted down.

**NOTE:** Teledyne Fluid Systems, Hyson Products recommends that all Tanker 2 gas springs are backed up at all times.