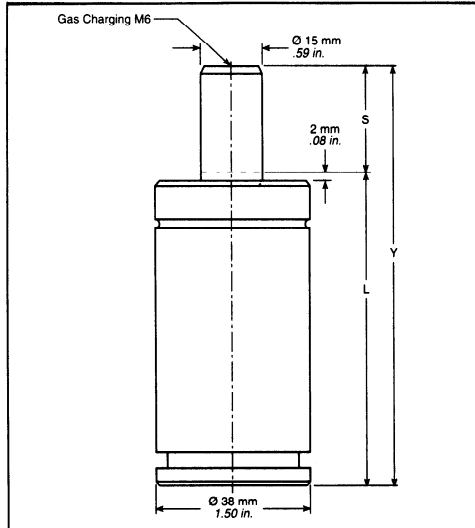




## T2-250 38mm (1½") DIAMETER GAS SPRINGS



### Product Specifications

- Pressure Medium ..... Nitrogen Gas
- Charging Pressure Range ..... Max.: 150 bar/2175 psi  
Min.: 50 bar/725 psi
- Maximum Gas Spring Operating Temperature ..... 80 C°/176 F°
- Maximum Piston Rod Velocity ..... 35m/min  
115 ft./min
- Maximum Utilized Stroke ..... 100%
- Seal Kit Number ..... Part No.: T2SK-250
- Male Quick Disconnect ..... Part No.: T2-770-M6

**NOTE:** The tapped hole in the piston rod is intended for charging purposes only.

**Ordering Example:** T2-250 x 25 - SF - 2175

Model      Stroke      Flange (if required)      Charge Pressure

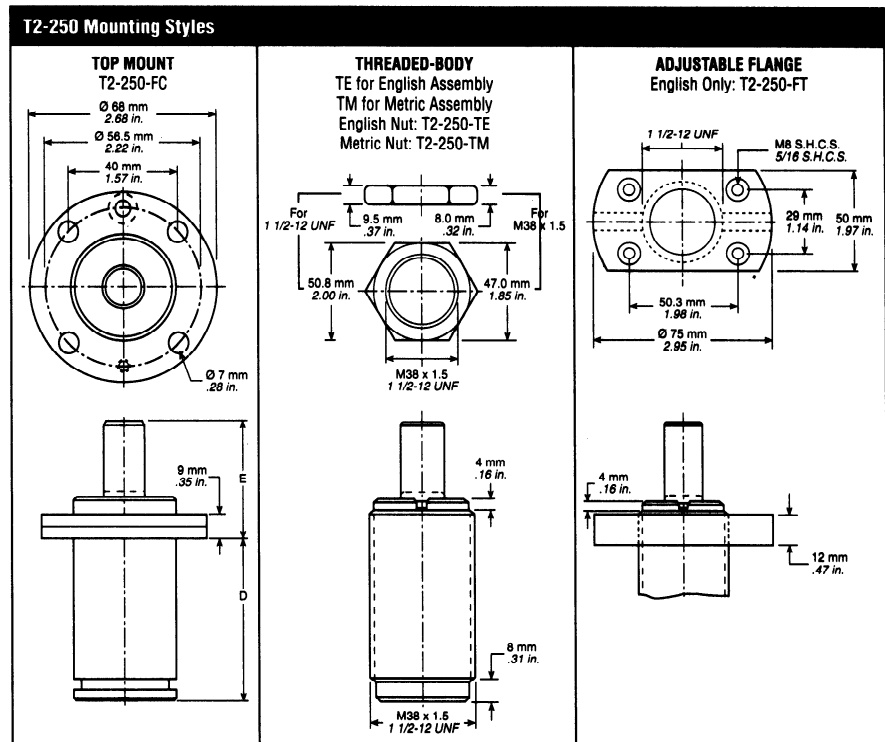
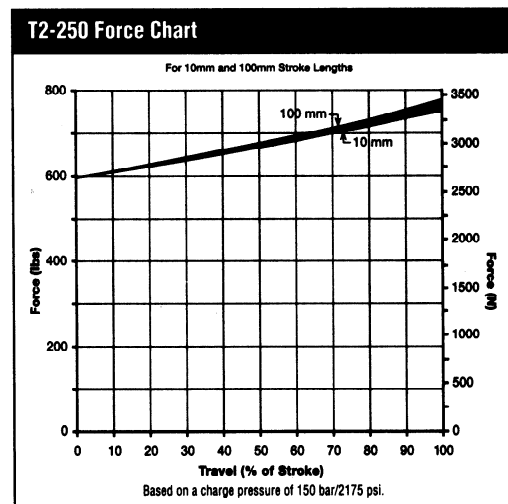
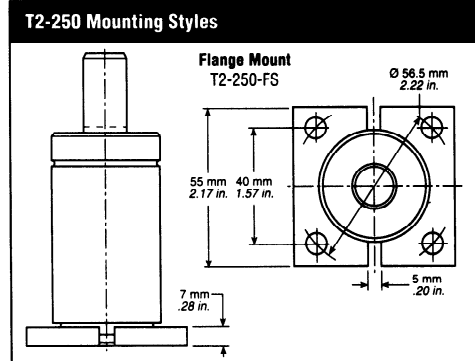
Shipped charged at 150 bar/2175 psi, unless otherwise specified.

T2-250 Stroke Lengths					
Stroke		Y	L	D	E
0.25	in.	2.47	2.22	1.55	0.92
0.50	in.	2.97	2.47	1.80	1.17
0.75	in.	3.47	2.72	2.05	1.42
1.00	in.	3.97	2.97	2.30	1.67
1.50	in.	4.97	3.47	2.80	2.17
2.00	in.	5.97	3.97	3.30	2.67
2.50	in.	6.97	4.47	3.80	3.17
3.00	in.	7.97	4.97	4.30	3.67

**NOTE:** Please contact the factory for longer stroke lengths as an option.

All dimensions are nominal unless tolerance is stated.

Old P/N = T2-03



**NOTE:** All forces are nominal.

**NOTE:** Teledyne Fluid Systems, Hyson Products recommends that all Tanker 2 gas springs are backed up at all times.

All dimensions are nominal unless tolerance is stated.