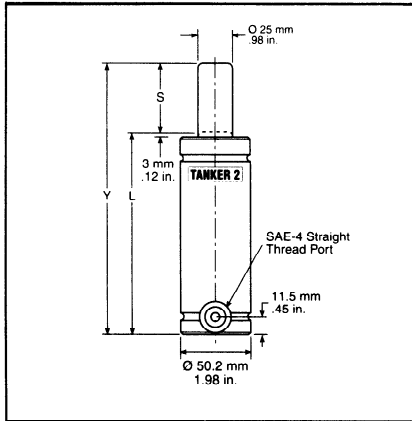




T2-750 (2") DIAMETER GAS SPRINGS



Product Specifications:

- Pressure Medium Nitrogen Gas
- Charging Pressure Range Max.: 150 bar/2175 psi
Min.: 50 bar/725 psi
- Maximum Gas Spring Operating Temperature 80 C°/176 F°
- Maximum Piston Rod Velocity 35m/min
115 ft./min
- Maximum Utilized Stroke 100%
- Seal Kit Number Part No.: T2SK-750
- Male Quick Disconnect (Charge Fitting) Part No.: T2-770-4

T2-750 Stroke Lengths

Model	Stroke in	Contact Force lb _r	Full Stroke Force lb _r	L in	Y in	D in	E in	Gas Volume in ³
T2-750	x .5	1660	2790	4.24	4.74	3.29	1.45	0.94
T2-750	x 1	1660	2760	4.74	5.74	3.79	1.95	1.91
T2-750	x 1.5	1660	2740	5.24	6.74	4.29	2.45	2.90
T2-750	x 2	1660	2810	5.74	7.74	4.79	2.95	3.73
T2-750	x 2.5	1660	2790	6.24	8.74	5.29	3.45	4.70
T2-750	x 3	1660	2790	6.74	9.74	5.79	3.95	5.64
T2-750	x 3.5	1660	2770	7.24	10.74	6.29	4.45	6.64
T2-750	x 4	1660	2770	7.74	11.74	6.79	4.95	7.59
T2-750	x 4.5	1660	2760	8.24	12.74	7.29	5.45	8.61
T2-750	x 5	1660	2760	8.74	13.74	7.79	5.95	9.57
T2-750	x 5.5	1660	2760	9.24	14.74	8.29	6.45	10.53
T2-750	x 6	1660	2760	9.74	15.74	8.79	6.95	11.48

Force Calculations:

Select desired Model x Stroke

Pressure Rise for stroke used:

$$\text{Pressure Rise} = \frac{\text{Gas Volume (mm}^3\text{)}}{\text{Gas Volume (mm}^3\text{)} - [491 \text{ mm}^2 \times \text{Stroke Used (mm)]}$$

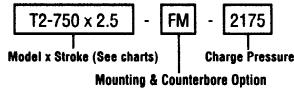
$$\text{Pressure Rise} = \frac{\text{Gas Volume (in}^3\text{)}}{\text{Gas Volume (in}^3\text{)} - [.76 \text{ in}^2 \times \text{Stroke Used (in.)}]}$$

Force at stroke used:

$$\text{Force (N)} = \frac{\text{Pressure Rise} \times \text{Charge Pressure (bar)}}{0.0204}$$

$$\text{Force (lb)} = \frac{\text{Pressure Rise} \times \text{Charge Pressure (lb/in}^2\text{)}}{1.31}$$

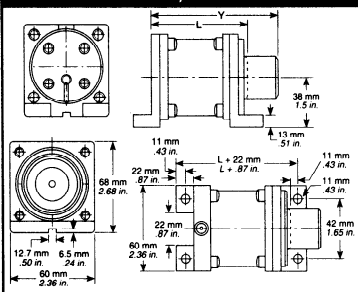
Ordering Example:



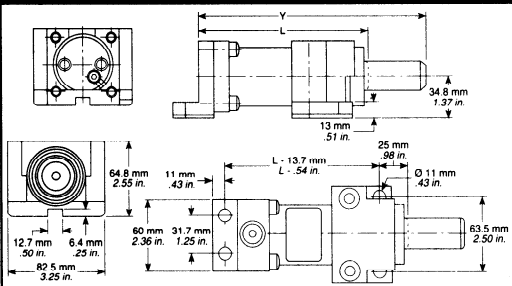
Shipped charged at 150 bar/2175 psi, unless otherwise specified.
Metric (M) and English (E) mounting threads available upon request.
Specify mount counterbore for LM, FM & SF style mounts.

All dimensions are nominal unless tolerance is stated.

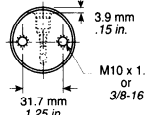
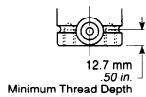
SM - Cam Mount Style - Part No. T2-750-SM



SMG - Cam Mount Style - Part No. T2-750-SMG

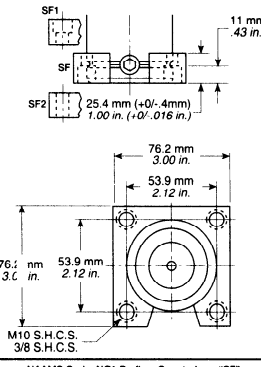


Mounting Threads



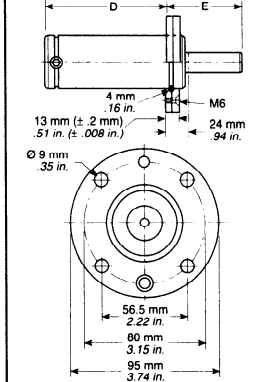
SF - Square Mount Style

Part No. T2-750-SF



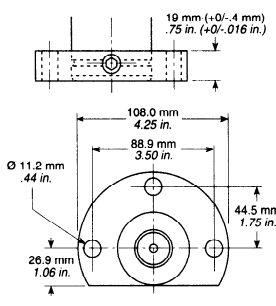
FC - Circular Flange Style

Part No. T2-750-FC



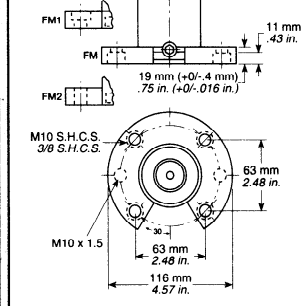
FMC - Three Hole Mount Style

Part No. T2-750-FMCW



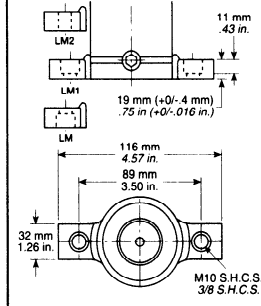
FM - Four Hole Mount Style

Part No. T2-750-FMW



LM - Lug Mount Style

Part No. T2-750-LMW



NOTE: Teledyne Fluid Systems, Hyson Products recommends that all Tanker 2 gas springs are backed up at all times.
All dimensions are nominal unless tolerance is stated.