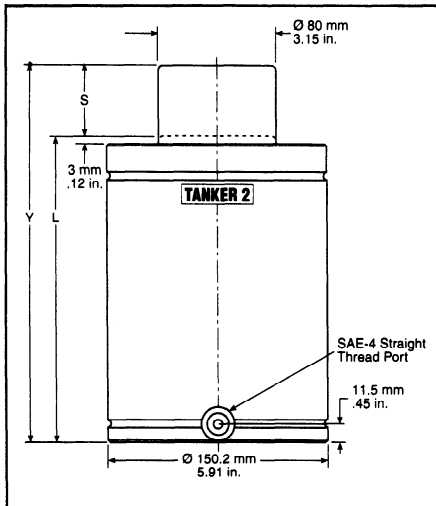




T2-7500 (6") DIAMETER GAS SPRINGS



Product Specifications:

- Pressure Medium Nitrogen Gas
- Charging Pressure Range Max.: 150 bar/2175 psi
Min.: 50 bar/725 psi
- Maximum Gas Spring Operating Temperature 80 C°/176 F°
- Maximum Piston Rod Velocity 35m/min
115 ft./min
- Maximum Utilized Stroke 100%
- Seal Kit Number Part No.: T2SK-7500
- Male Quick Disconnect (Charge Fitting) Part No.: T2-770-4

T2-7500 Stroke Lengths

Model	Stroke x in	Contact Force lb	Full Stroke Force lb _f	L in	Y in	D in	E in	Gas Volume in ³
T2-7500	x .5	17,000	22,400	7.10	8.10	5.49	2.61	16.07
T2-7500	x 1	17,000	24,300	7.60	9.10	5.99	3.11	25.91
T2-7500	x 1.5	17,000	25,500	8.10	10.10	6.49	3.61	35.06
T2-7500	x 2	17,000	26,000	8.60	11.10	6.99	4.11	44.98
T2-7500	x 2.5	17,000	26,500	9.10	12.10	7.49	4.61	54.26
T2-7500	x 3	17,000	26,900	9.60	13.10	7.99	5.11	63.67
T2-7500	x 3.5	17,000	27,200	10.10	14.10	8.49	5.61	72.72
T2-7500	x 4	17,000	27,200	10.60	15.10	8.99	6.11	83.11
T2-7500	x 4.5	17,000	27,400	11.10	16.10	9.49	6.61	92.54
T2-7500	x 5	17,000	27,500	11.60	17.10	9.99	7.11	101.79
T2-7500	x 5.5	17,000	27,700	12.10	18.10	10.49	7.61	110.87
T2-7500	x 6	17,000	27,700	12.10	18.10	10.49	7.61	120.95

NOTE: Charted force values are based on 150bar/2175 psi charge.
Please contact Customer Service for optional stroke lengths.
Old P/N = T2-75

Force Calculations:

Select desired Model x Stroke

Pressure Rise for stroke used:

$$\text{Pressure Rise} = \frac{\text{Gas Volume (mm}^3\text{)}}{\text{Gas Volume (mm}^3\text{)} - [5027 \text{ mm}^3 \times \text{Stroke Used (mm)]}$$

$$\text{Pressure Rise} = \frac{\text{Gas Volume (in}^3\text{)}}{\text{Gas Volume (in}^3\text{)} - [7.79 \text{ in}^3 \times \text{Stroke Used (in.)}]}$$

Force at stroke used:

$$\text{Force (N)} = \frac{\text{Pressure Rise} \times \text{Charge Pressure (bar)}}{0.0020}$$

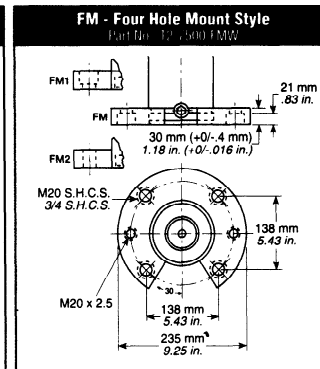
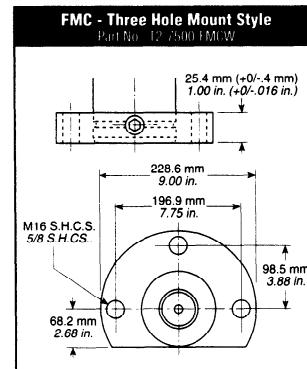
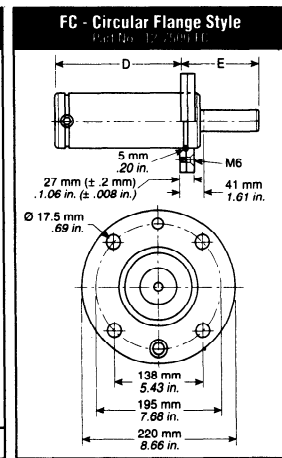
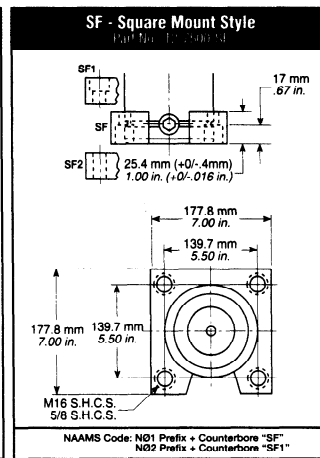
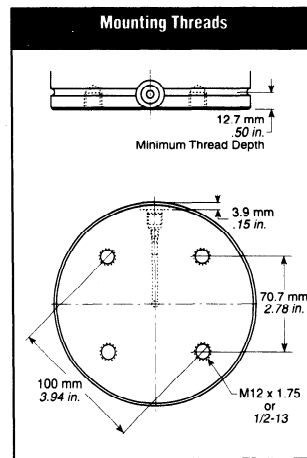
$$\text{Force (lb}_f\text{)} = \frac{\text{Pressure Rise} \times \text{Charge Pressure (lb/in}^2\text{)}}{0.13}$$

Ordering Example:

T2-7500 x 2.5 - FM - 2175

Model x Stroke (See charts) Charge Pressure
Mounting & Counterbore Option

Shipped charged at 150 bar/2175 psi, unless otherwise specified.
Metric (M) and English (E) mounting threads available upon request.
Specify mount counterbore for LM, FM & SF style mounts.



NOTE: Teledyne Fluid Systems, Hyson Products recommends that all Tanker 2 gas springs are backed up at all times.
All dimensions are nominal unless tolerance is stated.