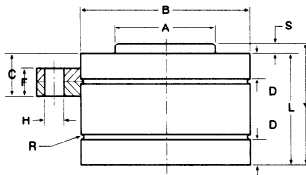


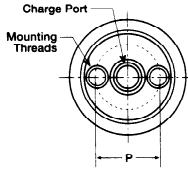


T2SC GAS SPRINGS

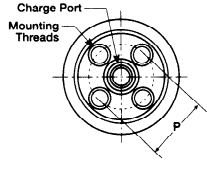
T2SC



T2SC Side View



T2SC-1000, 1800
Bottom View



T2SC-4700, 7500, 11800, 18300
Bottom View

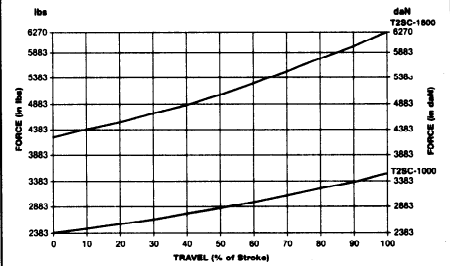
Product Specifications:

- Pressure Medium Nitrogen Gas
- Charging Pressure Range Max.: 150 bar/2175 psi
Min.: 50 bar/725 psi
- Maximum Gas Spring Operating Temperature 80 C°/176 F°
- Maximum Operating Speed 100 strokes/min
- Maximum Piston Rod Velocity 35m/min
115 ft./min
- Maximum Utilized Stroke 100%
- Mode of Operation Self Contained
- Seal Kit Number Part No.: T2SCSK-10, 18, 47, 75, 118 & 183
- Male Quick Disconnect Part No.: T2-770-M6 for T2SC-1000
Part No.: T2-770-4 for T2SC-1800, 4700, 7500, 11800 & 18300
- Typical Applications Heavy Gauge Blanking, Piercing & Stripping
Shallow Depth Drawing

Force Calculation:

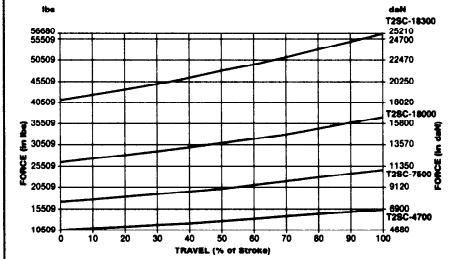
$$\text{Desired Force (daN or lbs.)} = \frac{\text{Charge Pressure}}{150 \text{ bar or } 2175 \text{ psi}} \times \text{Force Chart Value (daN or lbs.)}$$

T2SC-1000 & 1800 Force Chart



Based on a charge pressure of 150 bar/2175 psi

T2SC-4700, 7500, 11800 & 18300 Force Chart



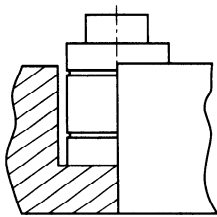
Based on a charge pressure of 150 bar/2175 psi

T2SC Dimensions

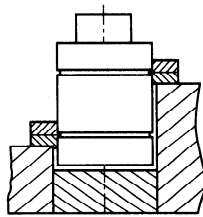
	Die Open Force 2175 psi/150bar	A	B	D	H	K	N	R	Mounting Thread Options
T2SC-1000	10,600 N 2,383 lbs.	38	1.5	0.37	0.28	1.57	68	1	M6 x 1.0 1/4-20
T2SC-1800	18,843 N 4,236 lbs.	50	1.98	0.49	0.36	2.22	95	2	M6 x 1.0 1/4-20
T2SC-4700	46,746 N 10,509 lbs.	50	2.96	0.61	0.43	2.89	122	2.5	M8 x 1.25 5/16-18
T2SC-7500	75,380 N 16,946 lbs.	50	3.75	0.73	0.53	3.62	150	2.5	M8 x 1.25 5/16-18
T2SC-11800	117,780 N 26,478 lbs.	70	4.73	0.79	0.53	4.31	175	2.5	M10 x 1.5 3/8-16
T2SC-18300	184,032 N 41,372 lbs.	70	5.91	0.87	0.69	5.43	220	2.5	M10 x 1.5 3/8-16

All dimensions are nominal unless tolerance is stated.

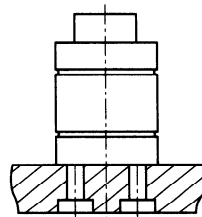
T2SC Mounting Styles



Drop-In Style

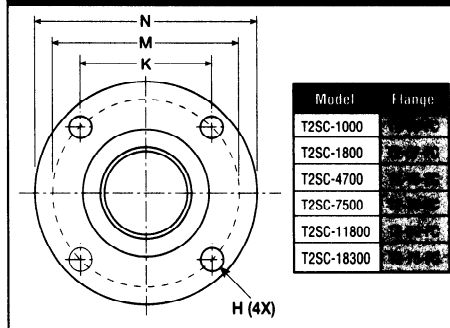


Flange Mount Style

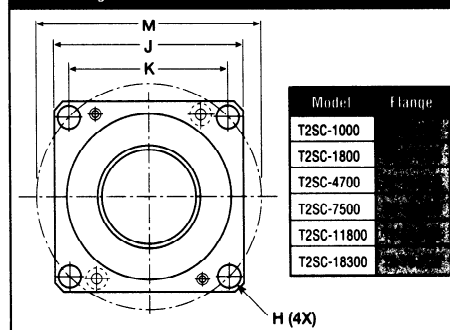


Base Mount Style

FC Flange



FCS Flange



T2SC Stroke Lengths (mm)

Stroke	T2SC-1000	T2SC-1800	T2SC-4700	T2SC-7500	T2SC-11800	T2SC-18300
	Y	Y	Y	Y	Y	Y
6	61	66				
0.236	2.40	2.60				
10	78	80	80	90	100	110
0.394	3.07	3.15	3.15	3.54	3.94	4.33
16	100	106	106	116	126	136
0.630	3.94	4.17	4.17	4.57	4.96	5.35
25	135	135	135	145	155	165
0.984	5.32	5.32	5.32	5.71	6.10	6.50

NOTE: Teledyne Fluid Systems, Hyson Products recommends that all Tanker 2 gas springs are backed up at all times.
All dimensions are nominal unless tolerance is stated.

T2SC-4700 x 25 FC 2175

Shipped charged at 150 bar/2175 psi, unless otherwise specified.
Metric (M) and English (E) mounting threads available upon request.