



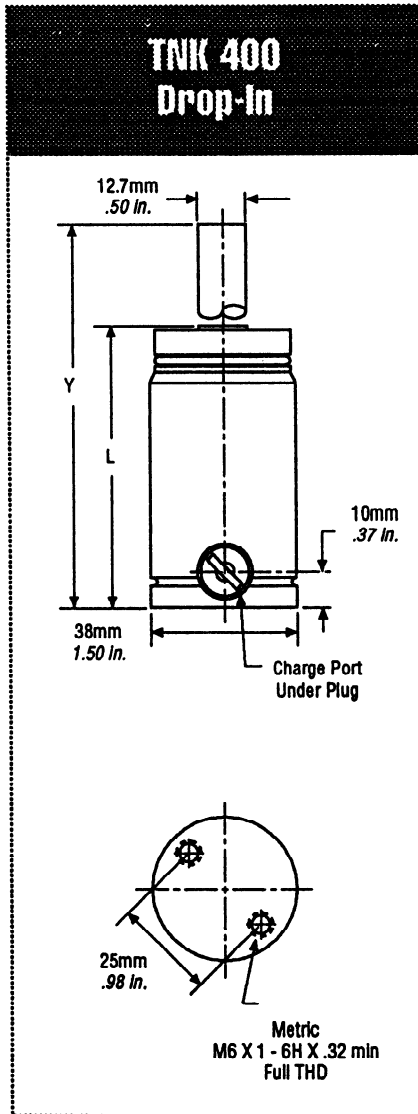
Tanker XP Series

TNK 400 Mighty-Micro

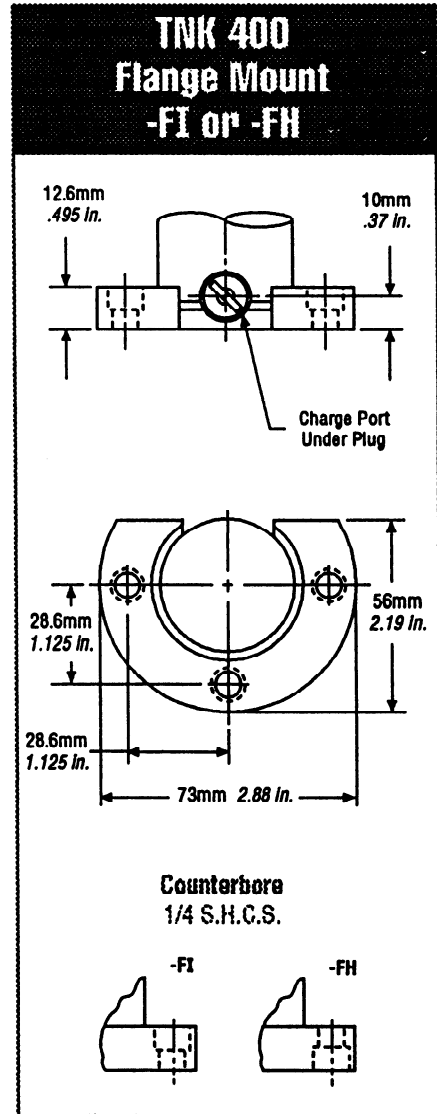


TNK 400 Specifications

- Pressure Medium Nitrogen
- Maximum Charging Pressure 138 bar/2000 psi
- Maximum Operating Temperature 80°C/176°F
- Maximum Utilized Stroke 100%
- Maximum Piston Rod Velocity 35 m/min / 115 ft/min
- Seal Kit Part No. 56-072-7000
- Charge Fitting ... Part No. 11-770-0705 MTY



NOTE: Bottom mounting threads available in metric only.



NOTES: To order, specify -FI or -FH after the drop-in part number.

To order the flange separately:
Flange Part No. 56-072-2002
Locking Wire Part No. 56-072-2004

The base of the spring extends past the bottom of the flange when assembled. The gas spring will sit flush once it is bolted down. **DO NOT GRIND THE GAS SPRING!**