



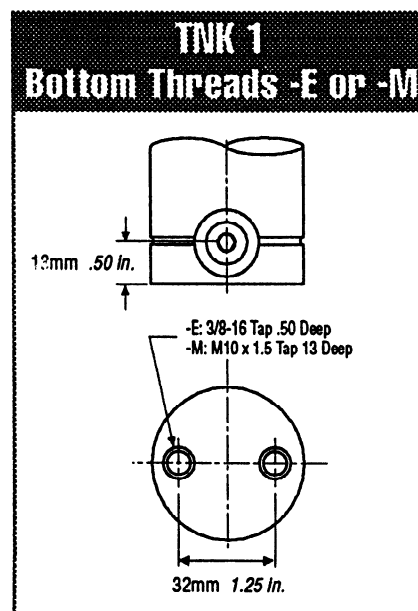
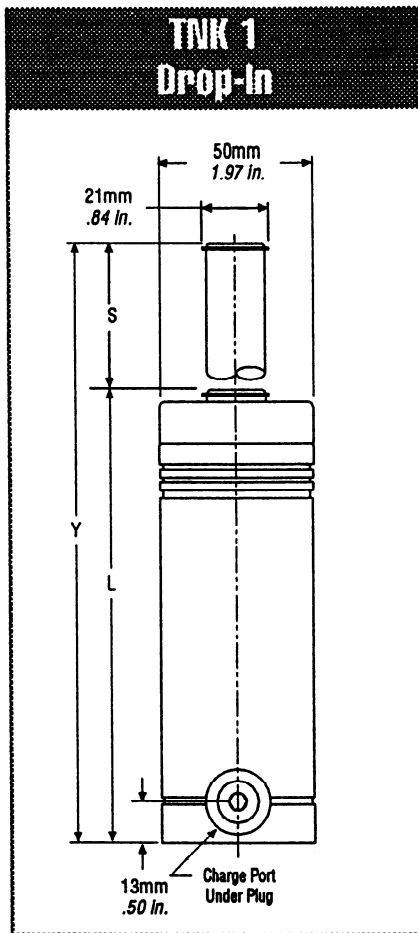
# Tanker XP Series

# TNK 1

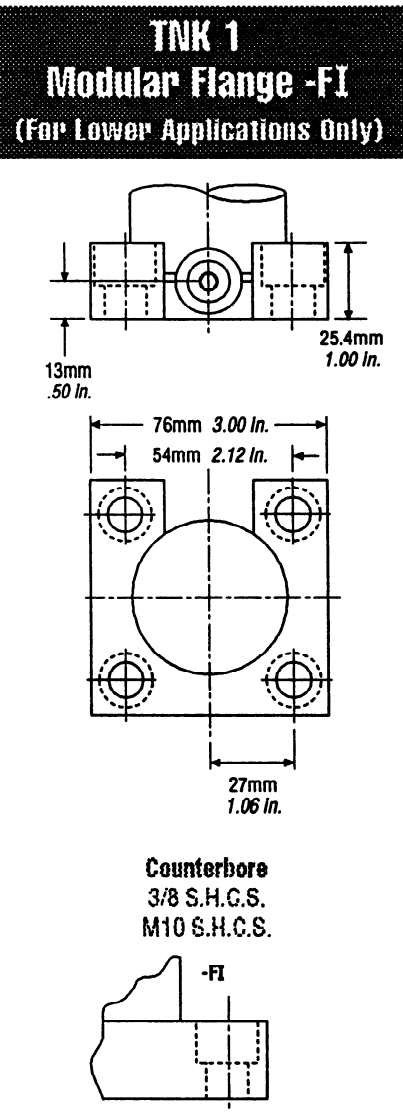


## TNK 1 Specifications

- Pressure Medium ..... Nitrogen
- Maximum Charging Pressure ..... 138 bar/2000 psi
- Maximum Operating Temperature ..... 80°C/176°F
- Maximum Utilized Stroke ..... 100%
- Maximum Piston Rod Velocity ..... 35 m/min / 115 ft/min
- Seal Kit ..... Part No. 57-100-7000
- Charge Fitting ..... Part No. T2-770-4



NOTE: To order, specify -E or -M after the drop-in part number.



NOTES: To order assembled to the spring, specify -FI after the drop-in part number.

To order the flange separately:  
Flange Part No. 56-100-2002  
Locking Wire Part No. 56-100-2004

The base of the spring extends past the bottom of the flange when assembled. The gas spring will sit flush once it is bolted down. **DO NOT GRIND THE GAS SPRING!**