

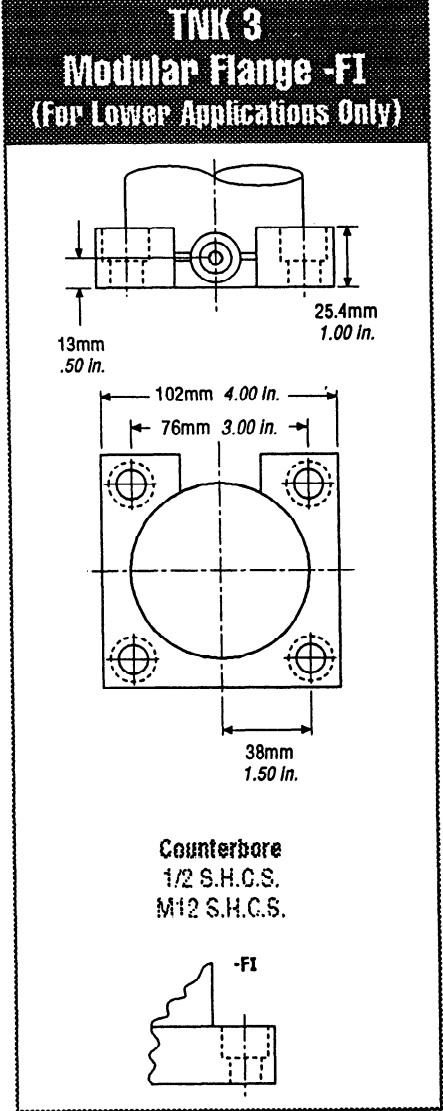
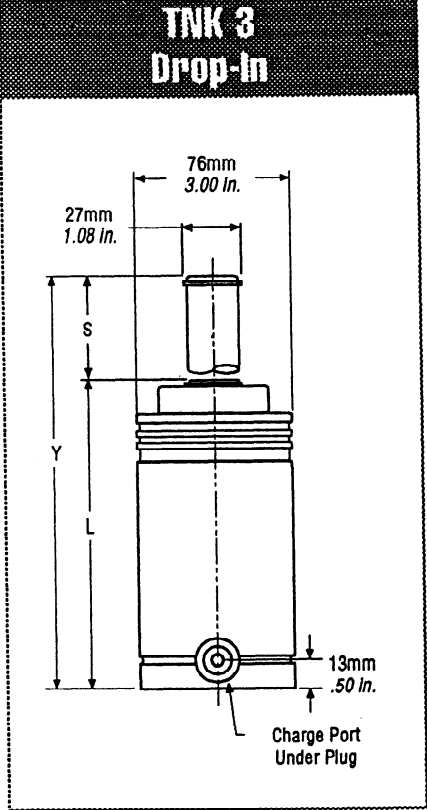


Tanker XP Series TNK 3



TNK 3 Specifications

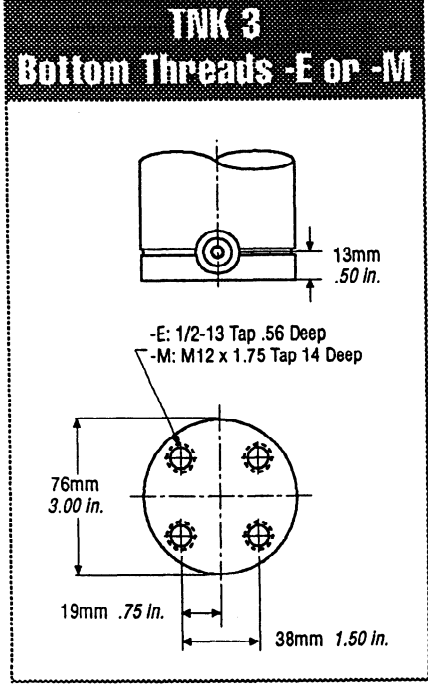
- Pressure Medium Nitrogen
- Maximum Charging Pressure 138 bar/2000 psi
- Maximum Operating Temperature 80°C/176°F
- Maximum Utilized Stroke 100%
- Maximum Piston Rod Velocity 35 m/min / 115 ft/min
- Seal Kit Part No. 57-150-7000
- Charge Fitting Part No. T2-770-4



NOTES: To order assembled to the spring, specify -FI after the drop-in part number.

To order the flange separately:
Flange Part No. 56-150-2002
Locking Wire Part No. 56-150-2004

The base of the spring extends past the bottom of the flange when assembled. The gas spring will sit flush once it is bolted down. **DO NOT GRIND THE GAS SPRING!**



NOTE: To order, specify -E or -M after the drop-in part number.