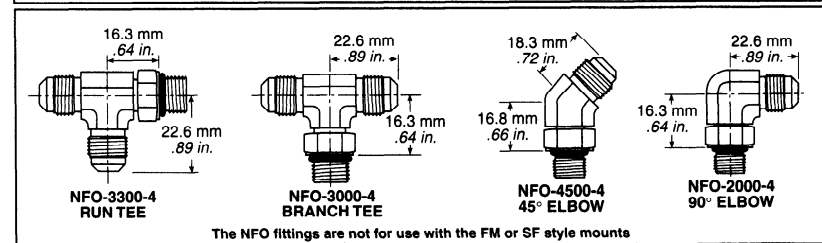
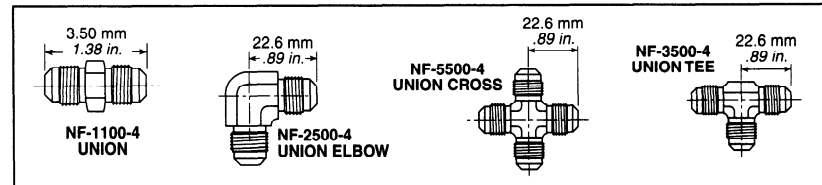
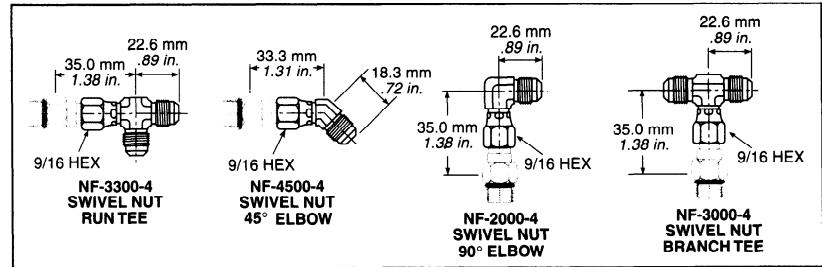
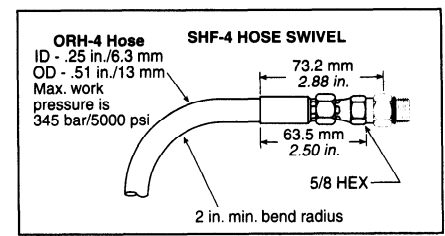
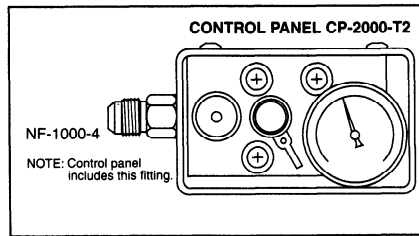
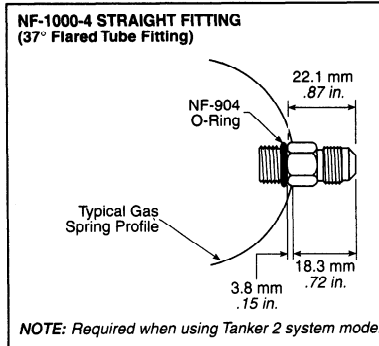




## STANDARD SYSTEM MODE HOSE FITTINGS

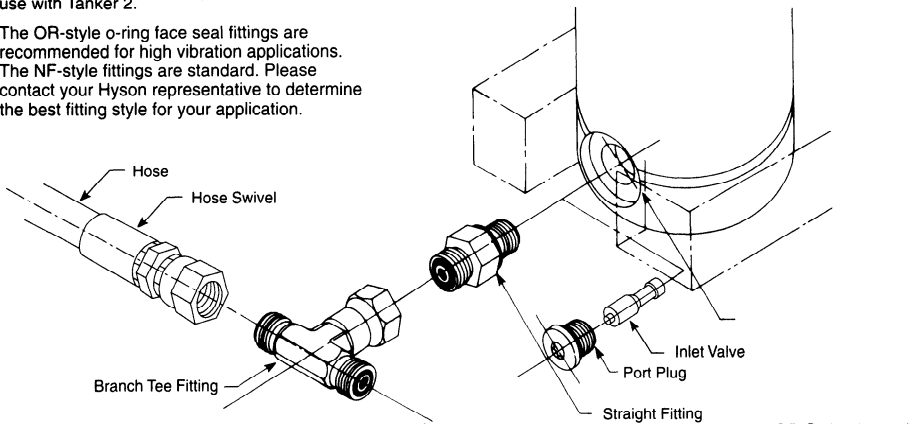
**Note:** The inlet valve must be removed prior to hosing.  
**Important:** The hose length should be a minimum of 5% longer than the actual measured length. The additional length provides for the contraction of the hose length when pressurized.



## ASSEMBLING FITTINGS TO GAS SPRINGS

Two different fitting styles are offered for use with Tanker 2.

The OR-style o-ring face seal fittings are recommended for high vibration applications. The NF-style fittings are standard. Please contact your Hyson representative to determine the best fitting style for your application.



1. Before assembling fittings to Tanker 2, be sure to wear safety glasses. In addition, make sure all of the nitrogen gas has been discharged from the gas springs. (Refer to page 26 for procedures to discharge Tanker 2.)
2. Remove the charge port plug. Next, remove the spring's internal valve with the valve removal tool, P/N T2TK-IN, contained in the T2TK tool kit.
3. Screw the straight fitting into the inlet port. Then tighten with 9/16" wrench until metal to metal contact is made. Then apply the proper torque.
4. To assemble the fitting to the straight fitting, tighten the fittings by hand. Use an open-end wrench to hold the straight fitting. Then use a second open-end wrench to tighten the fitting to the proper torque (F.F.F.T. - flats (nut) from finger tight).
5. To assemble hose swivels to the fittings, tighten end of hose swivel to fitting by hand. Use an open-end wrench to hold the fitting. Now with a second open-end wrench, tighten hose swivel to the proper torque.

Fitting Type	Hose Swivel	45 Elbow Fitting	90 Elbow Fitting	Branch Tee Fitting	Run Tee Fitting	Straight Fitting	Charge Port Plug
O-Ring Face Seal	ORHF-4.	—	ORF-2000-4	ORF-3000-4	ORF-3300-4	ORF-1000-4	NF-771-4
Standard 37° Flared	SHF-4	NF-4500-4	NF-2000-4	NF-3000-4	NF-3300-4	NF-1000-4	

Torque Specifications		
Fitting Type	lb • ft	F.F.F.T.
OR-4	18±1	—
NF-4	12±1	2