

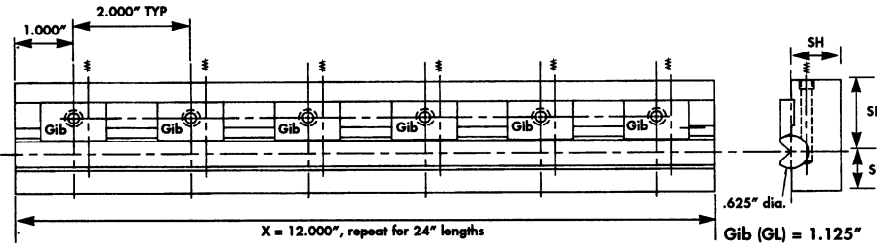


INCH Hard Inch Bender

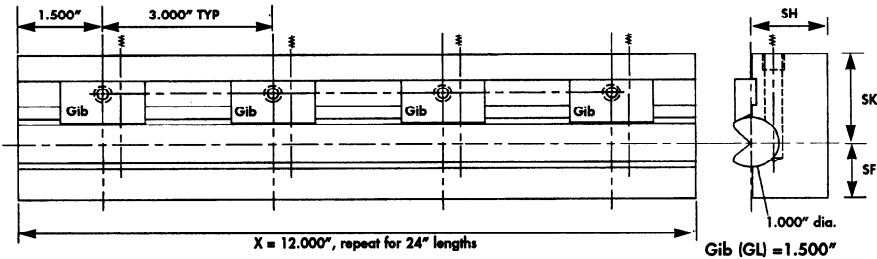
Hard Inch Bender in stock lengths: 12", 24" and in some styles 36" long.

- Designed so you can segment to shorter custom lengths.
- Minimum segment size is the Gib Length (GL).
- Custom lengths available, specify.

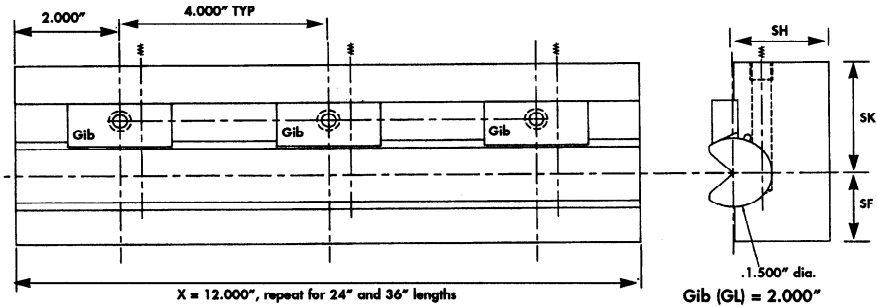
HIB 62 12" and 24" lengths in stock (5/8" Diameter Rocker)



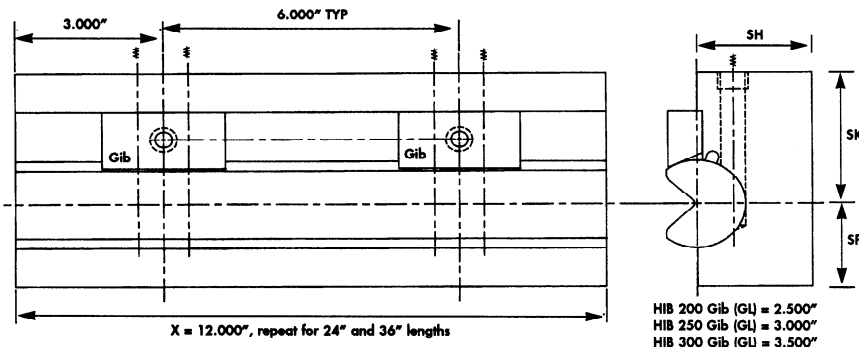
HIB 100 12" and 24" lengths in stock (1" Diameter Rocker)



HIB 150 12", 24" and 36" lengths in stock (1 1/2" Diameter Rocker)



HIB 200, 250 and 300 12", 24" and 36" lengths in stock (2", 2 1/2" and 3" Diameter Rockers)



Length Segmenting:

1. 12" lengths are shown (left). 24" and 36" lengths are a repeating pattern of the 12" length.
2. Minimum segmenting size is the GL (gib length) dimension. Each segment needs a gib to retain rocker. Spring returns are marked by ⌘ and are under gibs.

How to Segment:

1. Remove rocker by taking out set screw/lube fitting. Rotate rocker to remove the spring return plunger mechanism and rocker.
2. Rocker is fully hardened (Rc 58). Cut with wire machine or best way to precise length/size.
3. Saddle is machinable so cut the best way to precise length.
4. CAUTION: Thoroughly de-burr and clean saddle and rocker. Make sure no chips or dirt remain in saddle/rocker spring return pockets before reassembly.
5. Reassemble and check to make sure rocker returns easily when rotated.

READY Can Segment:

1. You must purchase the entire 12", 24" or 36" length and specify the segment dimensions. The remaining pieces are shipped with the tooling unless specified otherwise. No rebates on unused pieces.
2. Cost per precision cut:
HIB 62, 100.....\$50.00 per cut
All larger\$65.00 per cut

Order Example:

HIB	100	X = 24"
READY Model Callout	Rocker Diameter 1"	Specify Length of Bender

⌘ = spring return
GL = gib length

Flush mount lub fittings at end of spring return.