



PIVOT PUNCH CORPORATION / BALL LOCK
LONG NOSE PILOT
LIGHT DUTY & HEAVY DUTY

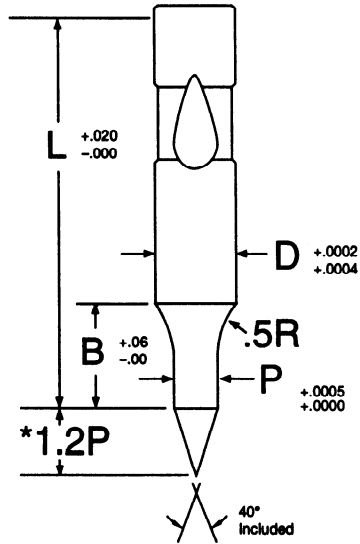
STEEL: M2 R/C 60-62

HLNP
M-2 STEEL

Positive Pick Up Pilots

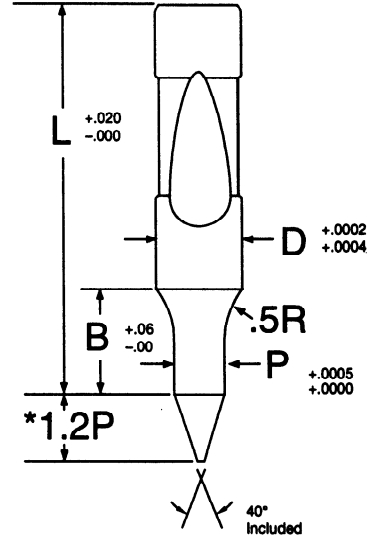
Concentricity: .0005 T.I.R.
SB AND SP REQUIRES ALTERATION AT ADDITIONAL COST.

LIGHT DUTY

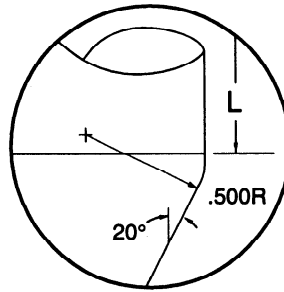


*Under .186 SP pilot nose 1.5P

HEAVY DUTY



*Under .186 SP pilot nose 1.5P



UNIVERSAL CODE: 120108 & 130108 (SEE PAGE 175)

	Shank		Point Length B	Round Range P	Length L											
	D	Code			2.50	2.75	3.00	3.25	3.50	3.75	4.00	4.50	4.75	5.00	5.25	5.50
HLNP	103	.375	.62	.186-.375	X	X	X	X	X	X	X					
HLNP	104	.500	.75	.249-.500	X	X	X	X	X	X	X	X	X	X	X	X
HLNP	105	.625	.88	.311-.625	X	X	X	X	X	X	X	X	X	X	X	X
HLNP	106	.750	.94	.436-.750	X	X	X	X	X	X	X	X	X	X	X	X
HLNP	107	.875	.94	.624-.875	X	X	X	X	X	X	X	X	X	X	X	X
HLNP	108	1.000	.94	.749-1.000	X	X	X	X	X	X	X	X	X	X	X	X
HLNP	113	.375	.62	.186-.375	X	X	X	X	X	X	X					
HLNP	114	.500	.81	.249-.500	X	X	X	X	X	X	X	X	X	X	X	X
HLNP	115	.625	.94	.311-.625	X	X	X	X	X	X	X	X	X	X	X	X
HLNP	116	.750	1.06	.436-.750	X	X	X	X	X	X	X	X	X	X	X	X
HLNP	117	.875	1.19	.624-.875		X	X	X	X	X	X	X	X	X	X	X
HLNP	118	1.000	1.25	.749-1.000			X	X	X	X	X	X	X	X	X	X
HLNP	119	1.250	1.44	.999-1.250			X	X	X	X	X	X	X	X	X	X

HOW TO ORDER TYPE D L P
HLNP 104 3 .250