



PIVOT PUNCH CORPORATION / BALL LOCK

STEEL: M2 R/C 60-62

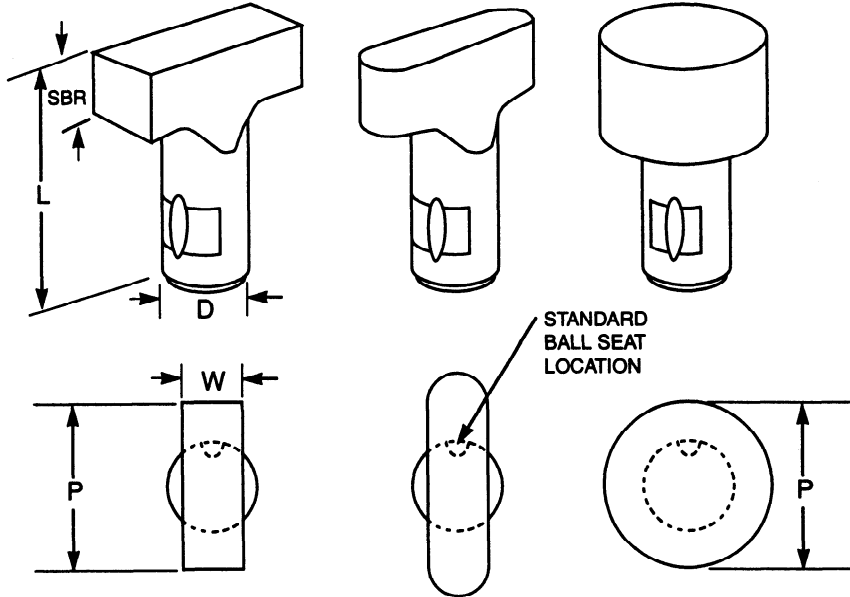
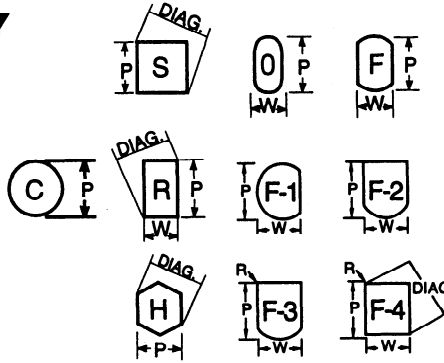
KNOB STYLE PUNCHES LIGHT DUTY AND HEAVY DUTY

LKN()
(SOLID)
M-2 STEEL

HKN()
(SOLID)
M-2 STEEL

LKE()
(EJECTOR)
M-2 STEEL

HKE()
(EJECTOR)
M-2 STEEL



LIGHT DUTY

| Shank | | SBR | Round | Shape | | Overall Length L | | | |
|-------|------|-----|-------------|------------|------------|------------------|------|------|------|
| D | Code | | Range P | Min. W | Max. DIAG. | 2.50 | 3.00 | 3.50 | 4.00 |
| .500 | 104 | .75 | .501-1.250 | .188-1.250 | | X | X | X | X |
| .625 | 105 | .88 | .626-1.500 | .250-1.500 | | X | X | X | X |
| .750 | 106 | .94 | .751-1.500 | .312-1.500 | | X | X | X | X |
| .875 | 107 | .94 | .876-1.750 | .375-1.750 | | X | X | X | X |
| 1.000 | 108 | .94 | 1.001-1.750 | .437-1.750 | | X | X | X | X |

HOW TO ORDER TYPE D L P
LKNC 105 3.50 1.250

HEAVY DUTY

| Shank | | SBR | Round | Shape | | Overall Length L | | | |
|-------|------|------|-------------|------------|------------|------------------|------|------|------|
| D | Code | | Range P | Min. W | Max. DIAG. | 2.50 | 3.00 | 3.50 | 4.00 |
| .500 | 114 | .75 | .501-1.250 | .188-1.250 | | X | X | X | X |
| .625 | 115 | .88 | .626-1.500 | .250-1.500 | | X | X | X | X |
| .750 | 116 | .94 | .751-1.500 | .312-1.500 | | X | X | X | X |
| .875 | 117 | .94 | .876-1.750 | .375-1.750 | | X | X | X | X |
| 1.000 | 118 | .94 | 1.001-1.750 | .437-1.750 | | X | X | X | X |
| 1.250 | 119 | 1.25 | 1.251-2.000 | .500-2.000 | | | X | X | X |

HOW TO ORDER TYPE D L P
HKNC 115 4.00 1.125