



PIVOT PUNCH CORPORATION / BALL LOCK END & SQUARE RETAINERS

(OLD STYLE W/BACK-UP
PLATES ARE AVAILABLE)

HEAVY DUTY

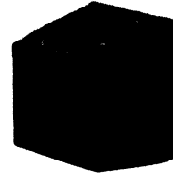
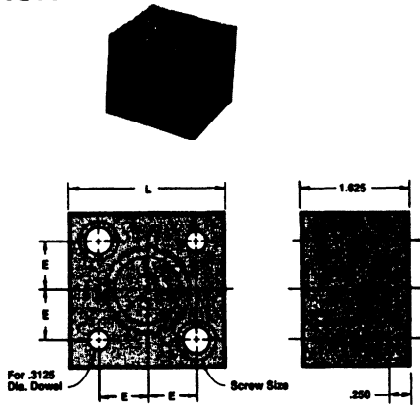
UNIVERSAL CODE: 136104 & 136105

HOW TO ORDER

HSR

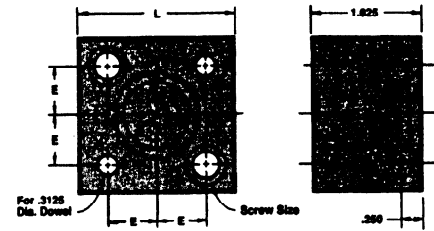
HER

QTY TYPE
12 HSR 35
12 HER 54



Retainer Sets include:

Backing Plug Screws
Ball Dowels
Spring



Catalog Number		D	L	E	Screw Size
Type	Code				
HSR	33	.5000	1.88	.562	3/8-16
HSR	34	.6250	2.00	.625	3/8-16
HSR	35	.7500	2.12	.688	3/8-16
HSR	36	.8750	2.38	.750	1/2-13
HSR	37	1.0000	2.38	.750	1/2-13
HSR	38	1.2500	2.62	.812	1/2-13

Catalog Number		D	L	J	R	Y	Screw Size
Type	Code						
HER	53	.5000	1.75	.375	.50	40°	3/8-16
HER	54	.6250	1.81	.438	.56	45°	3/8-16
HER	55	.7500	1.88	.500	.69	60°	3/8-16
HER	56	.8750	1.94	.562	.75	60°	3/8-16
HER	57	1.0000	2.00	.625	.81	60°	3/8-16
HER	58	1.2500	2.12	.750	1.00		3/8-16

LIGHT DUTY

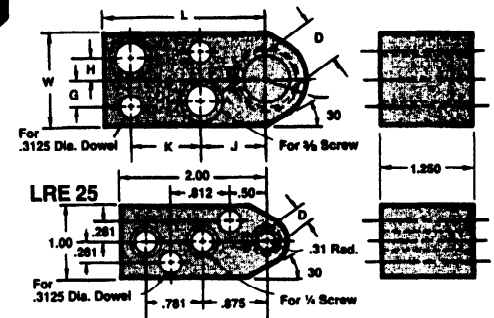
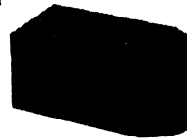
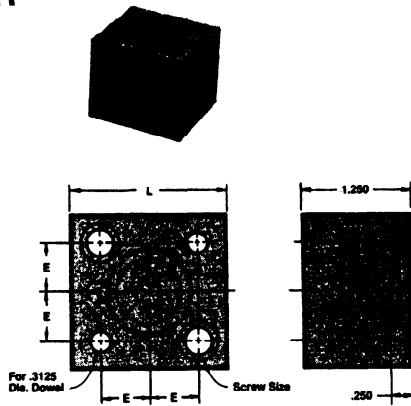
UNIVERSAL CODE: 126104 & 126105

HOW TO ORDER

SR

ER

QTY TYPE
10 SR 23
12 ER 42



Catalog Number		D	L	E	Screw Size
Type	Code				
SR	21	.2500	1.25	.312	1/4-20
SR	22	.3750	1.38	.375	5/16-18
SR	23	.5000	1.50	.438	5/16-18
SR	24	.6250	1.62	.500	5/16-18
SR	25	.7500	1.88	.562	3/8-16
SR	26	.8750	2.00	.625	3/8-16
SR	27	1.0000	2.25	.750	3/8-16
*SR	28	1.2500	2.25	.750	3/8-16
*SR	29	1.5000	2.75	1.000	3/8-16
*SR	30	1.7500	2.75	1.000	3/8-16

Retainer Sets include:

Backing Plug Screws
Ball Dowels
Spring

Catalog Number		D	G	H	J	K	L	R	W	Screw Size
Type	Code									
ER	41	.2500								1/4-20
ER	42	.3750	.375	.281	.906	.969	2.25	.38	1.25	3/8-16
ER	43	.5000	.375	.281	.906	.969	2.25	.50	1.25	3/8-16
ER	44	.6250	.375	.281	.906	.969	2.25	.56	1.25	3/8-16
ER	45	.7500	.438	.344	1.125	1.000	2.50	.69	1.38	3/8-16
ER	46	.8750	.438	.344	1.125	1.000	2.50	.75	1.50	3/8-16
ER	47	1.0000	.438	.344	1.125	1.000	2.50	.81	1.62	3/8-16

*FURNISHED WITH BACKING PLATE INSTEAD OF BACKING PLUG

BALL RELEASE TOOLS AND REPLACEMENT BALLS & SPRINGS AVAILABLE. SEE PRICER.