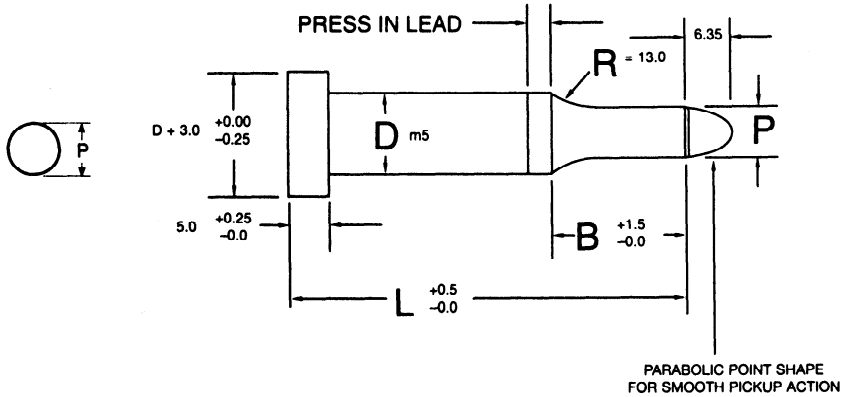




PIVOT PUNCH CORPORATION / BASIC SERIES METRIC
PILOT

STEEL: M-2 R/C 60/62
HEADS DRAWN TO R/C 40-50

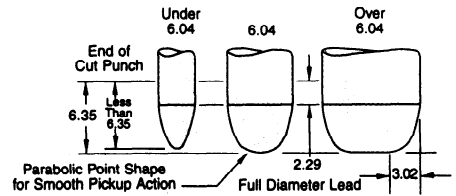
BPP



PARABOLIC POINT SHAPE FOR SMOOTH PICKUP ACTION

Basic

Round P	+0.01	T.I.R. = 0.01
	-0.00	



Shank D	Point Std.	Length B Alt.	Min P	Range P	Length = L										
					40	50	56	60	63	70	71	80	90	100	
05	16	20	1.9	1.90-5.00	X	X	X	X	X	X	X	X	X	X	X
06	16	20	1.9	1.90-6.00	X	X	X	X	X	X	X	X	X	X	X
08	20	25	2.4	2.40-8.00	X	X	X	X	X	X	X	X	X	X	X
10	20	25	2.4	3.90-10.00		X	X	X	X	X	X	X	X	X	X
13	20	25	3.2	4.90-13.00		X	X	X	X	X	X	X	X	X	X
16	25	32	6.0	7.90-16.00		X	X	X	X	X	X	X	X	X	X
20	25	32	7.6	11.90-20.00		X	X	X	X	X	X	X	X	X	X
25	25	32	10.0	15.90-25.00		X	X	X	X	X	X	X	X	X	X
32	32	38	10.0	23.90-32.00						X	X	X	X	X	X

P,W Increments = 0.01

L=40, Max B=13
L=50, Max B=25

HOW TO ORDER

TYPE DIA. CODE LENGTH "P"
BPP 13 80 6.80