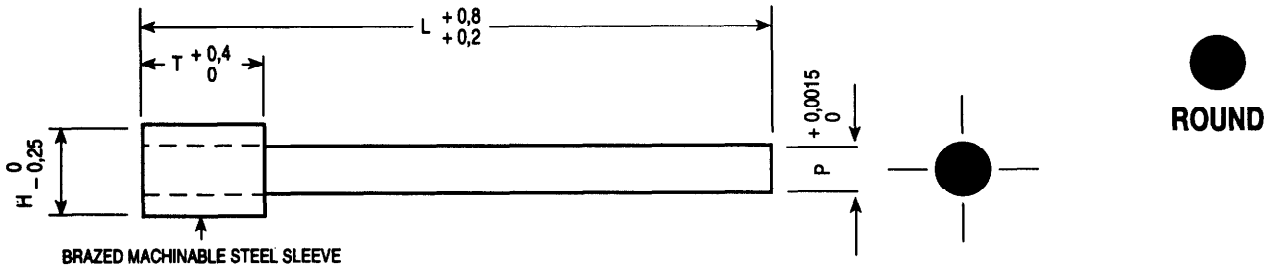


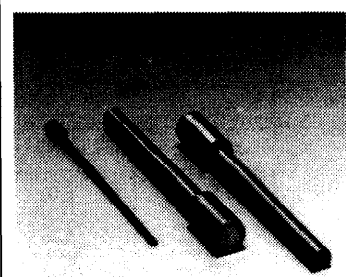


OBERG CARBIDE PUNCH & DIE / METRIC TOLERANCE CARBIDE PUNCHES, STRAIGHT GROUND WITH MACHINABLE STEEL SLEEVE HEAD



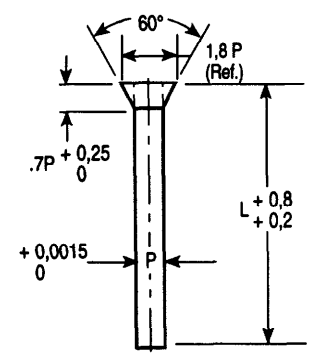
BRAZED MACHINABLE STEEL SLEEVE

CATALOG NUMBER	P POINT DIAMETER	H HEAD DIAMETER	T HEAD LENGTH	L = LENGTH					
				50	60	70	80	90	100
1PQ-M	1,000 - 1,499	3,00	5
2PQ-M	1,500 - 1,999	3,00	5
3PQ-M	2,000	3,00	5
4PQ-M	2,001 - 2,500	5,00	5
5PQ-M	2,501 - 2,999	5,00	5
6PQ-M	3,000	5,00	5
7PQ-M	3,001 - 3,500	6,00	5
8PQ-M	3,501 - 3,999	6,00	5
9PQ-M	4,000	7,00	5
10PQ-M	4,001 - 4,500	7,00	13
11PQ-M	4,501 - 4,999	7,00	13
12PQ-M	5,000	8,00	13
13PQ-M	5,001 - 5,500	8,00	13
14PQ-M	5,501 - 5,999	8,00	13
15PQ-M	6,000	9,00	13
16PQ-M	6,001 - 6,999	9,00	13
17PQ-M	7,000 - 7,999	10,00	13
18PQ-M	8,000	11,00	13
19PQ-M	8,001 - 8,999	11,00	13
20PQ-M	9,000 - 9,999	12,00	13
21PQ-M	10,000	13,00	13
22PQ-M	13,000	16,00	13
23PQ-M	16,000	19,00	13
24PQ-M	20,000	23,00	13
25PQ-M	25,000	28,00	13



AVAILABLE ON
REQUEST - BRAZED
MACHINABLE STEEL
SLEEVE HEAD

CATALOG
NUMBER
PQB-M



NOTE: ANY DIMENSION OTHER THAN THOSE SHOWN QUOTED ON REQUEST

WHEN ORDERING SPECIFY:

Quantity	Catalog Number	L	P
3	4PQ-M	80	2,50

