

Lamina^{INC.} WEAR STRIPS

Bronze Plate

Now Available STANDARD and SELF LUBRICATING

IMPERIAL FP STRIPS

SERIES FP

Standard

Available in:

- 9 thicknesses.
- 15 widths.
- Up to 96" lengths.
- Cut to your exact length.

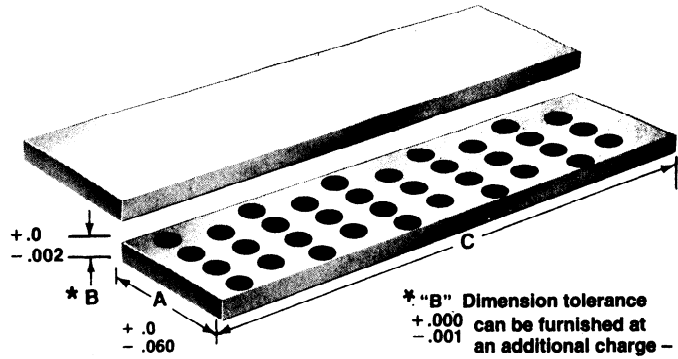
SERIES SLFP

Self Lubricating

Available in:

- 5 thicknesses.
- 8 widths.
- Up to 48" lengths.
- At 1" intervals.

NOTE: Shaded area denotes SLFP sizes.



* "B" Dimension tolerance
+.000
-.001
can be furnished at
an additional charge -
please specify.

"B"	"C"	"A" PRICE EACH BELOW WIDTHS														
		1"	1 1/4"	1 1/2"	1 3/4"	2"	2 1/2"	3"	3 1/2"	4"	4 1/2"	5"	6"	8"	10"	12"
1/8	Price per inch															
3/16																
1/4		•		•		•	•	•		•	•					
5/16																
3/8		•		•		•	•	•		•	•					
1/2		•		•		•	•	•		•	•					
5/8																
3/4		•		•		•	•	•		•	•					
1		•		•		•	•	•		•	•					

- Ground top and bottom.
- Machined edges.

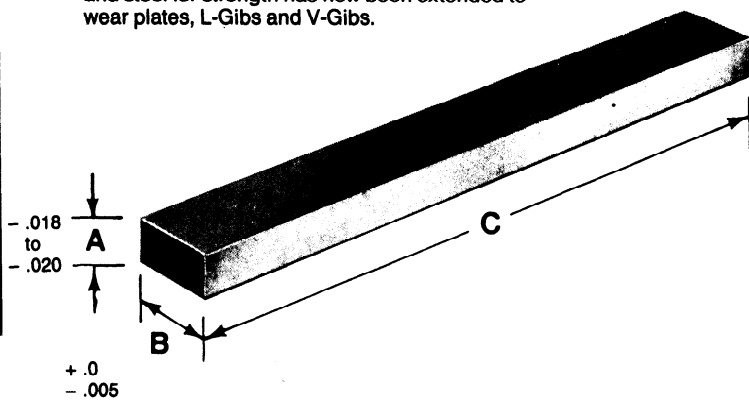
- ◻ Denotes SLFP sizes
- Denotes no product available

IMPERIAL SIDE STRIPS

SERIES SP

Lamina-Bronze electroplated on steel has achieved universal acceptance for wear applications. The Lamina principle of using bronze for wear surfaces and steel for strength has now been extended to wear plates, L-Gibs and V-Gibs.

"A"	"C"	"B" PRICE EACH BELOW HEIGHTS			
		1"	1 1/2"	2"	2 1/2"
1/2"	Price Per Inch				
5/8"					
3/4"					
1"					
1-1/4"					
1-1/2"					
2"					



- Ground all four sides.
- Available in standard 96" lengths or cut to your exact length.