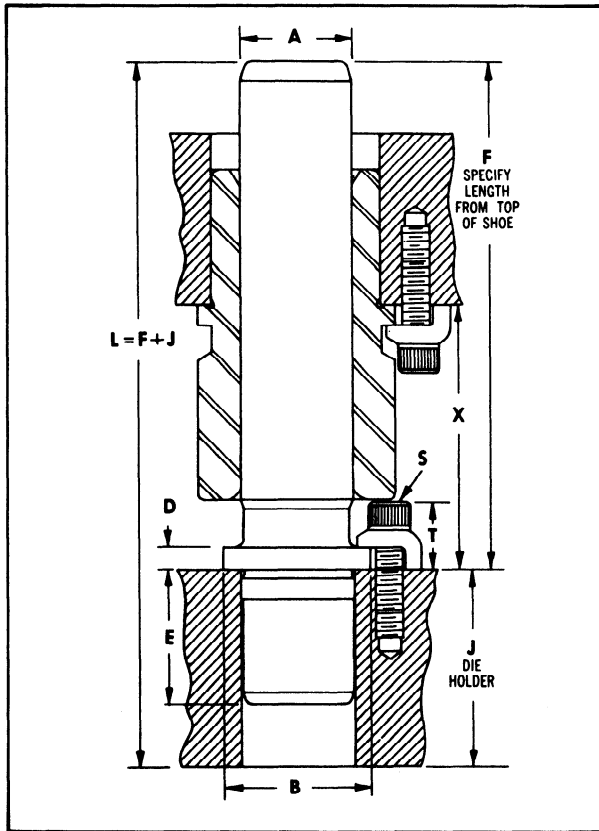
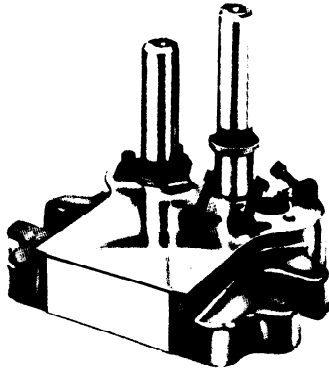




Danly Style Demountable Guide Posts



Diameter Inches		Length Inches			X (Min. In.) Bushing Style		Catalog Number
A	B	D	E	F	Shoulder	Short Shoulder	
7/8	13/16	.193	15/16	2 3/4	2 23/64	1 27/64	5-0711-6
				3			5-0712-6
				3 1/4			5-0713-6
				3 1/2			5-0714-6
				3 3/4			5-0715-6
				4			5-0716-6
				4 1/4			5-0717-6
				4 1/2			5-0718-6
				4 3/4			5-0719-6
				5 1/4			5-0721-6
				5 3/4			5-0723-6
				6 1/4			5-0725-6
6 3/4	5-0727-6						
1	15/16	.193	13/16	2 1/2	2 23/64	1 27/64	5-0810-6
				2 3/4			5-0811-6
				3			5-0812-6
				3 1/4			5-0813-6
				3 1/2			5-0814-6
				3 3/4			5-0815-6
				4			5-0816-6
				4 1/4			5-0817-6
				4 1/2			5-0818-6
				5			5-0820-6
				5 1/2			5-0822-6
				6			5-0824-6
				6 1/2			5-0826-6
				7			5-0828-6
				7 1/2			5-0830-6

IMPORTANT NOTE:

Length of guide post must be specified from shoulder, not overall length. Add thickness of die holder to F dimension to find L dimension of assembled set. (See drawing)

X dimension is minimum distance (inches) between inside surfaces of shoe and holder with bushing shoulder resting on screw head. The dimension varies with shoulder and short shoulder bushings.

"DANLY" is a registered trademark of DANLY DIE SET
A division of Connell Limited Partnership

