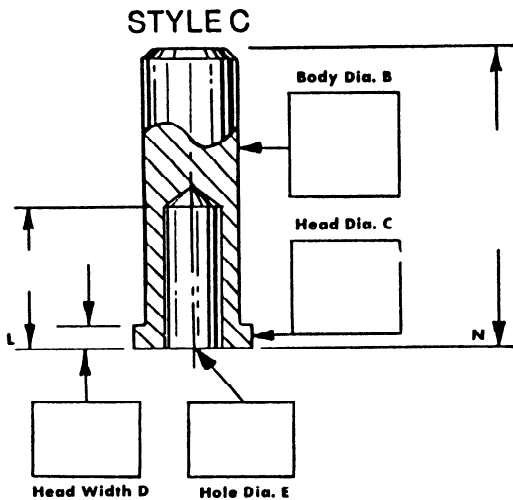
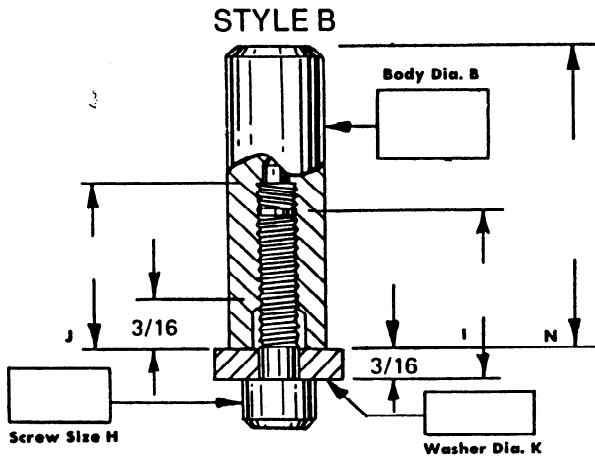
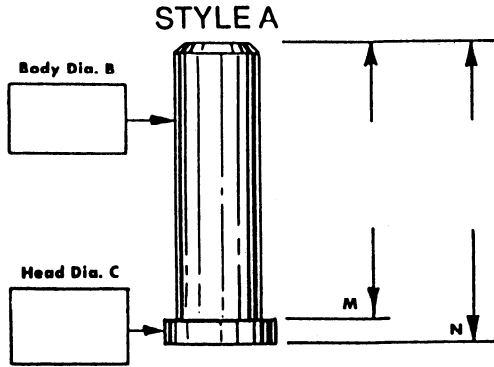




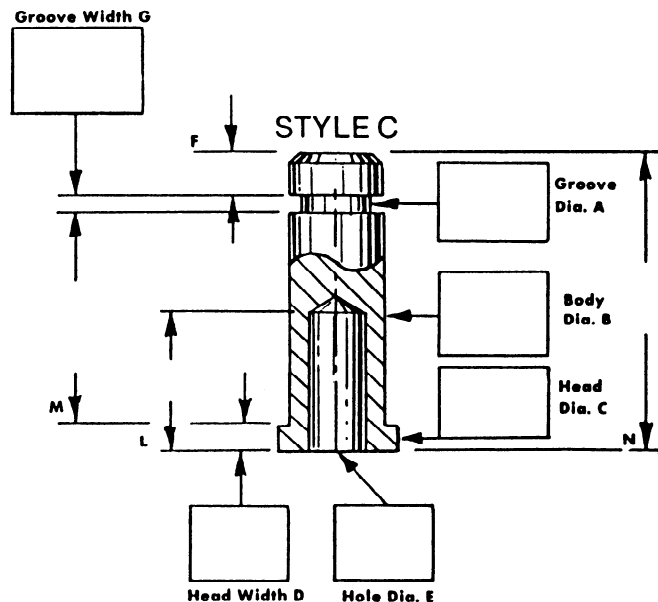
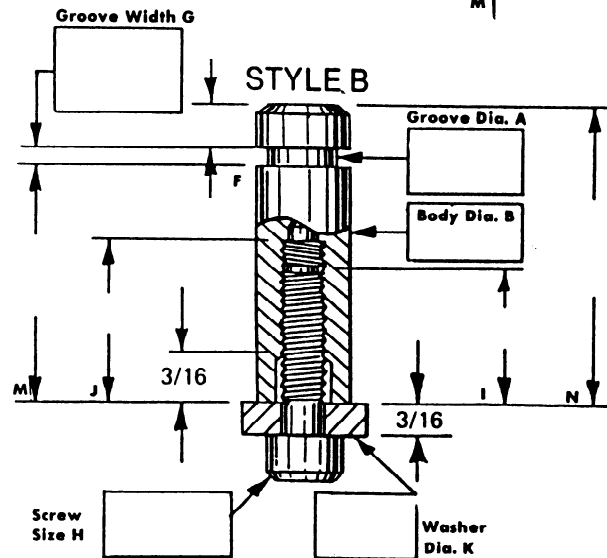
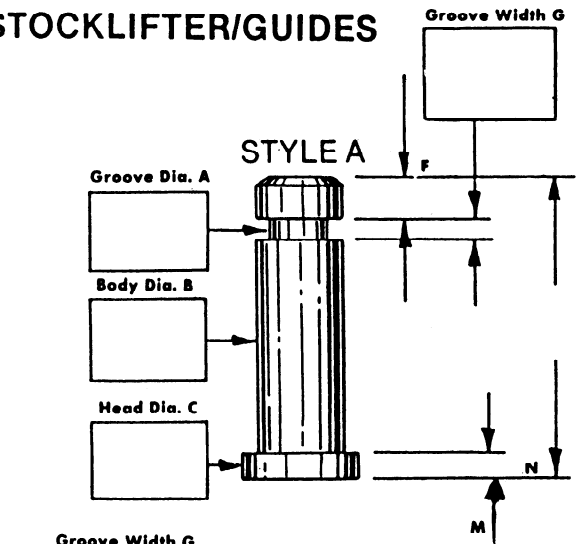
T.R. JONES MACHINE COMPANY, INC.

STOCKLIFTERS



Stocklifters and stocklifter/guides 7/16 and less have standard 10-24 screw.

STOCKLIFTER/GUIDES



Ref. column H and K of Standard Sub-liner Pins and Balancers for standard screw and washer sizes