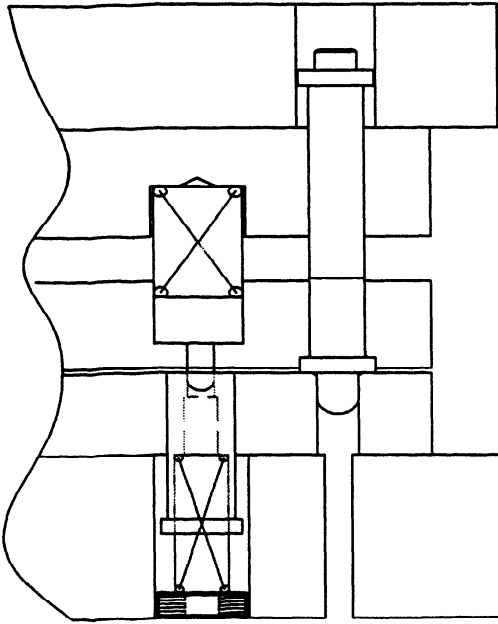


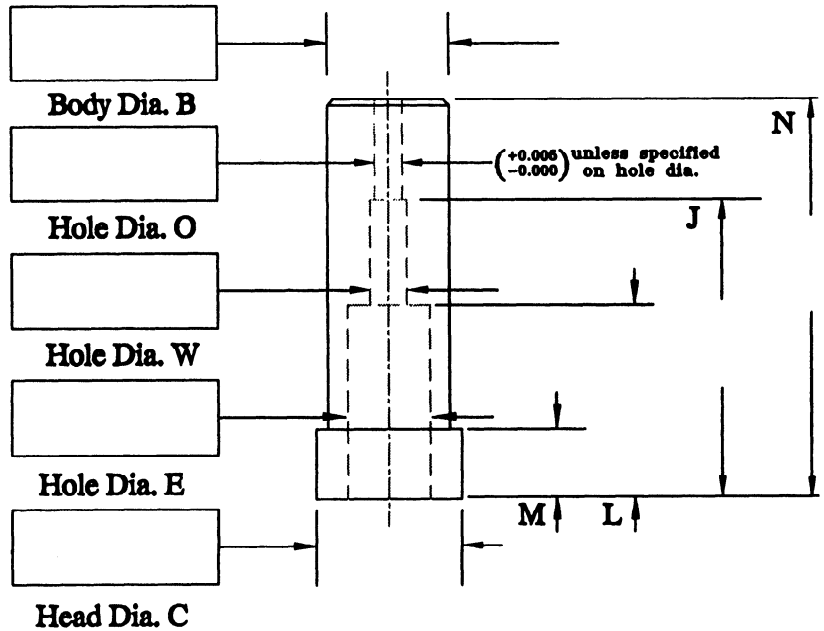


# T.R. JONES MACHINE COMPANY, INC.

Style 'GM' Pilot Lifter Illustration



Style 'GM' Pilot Lifter



Material moves along the top of the pilot lifters. The lifters rise to meet with the pilot holes.

Pilots enter through material pilot holes to line up with pilot lifter holes while suspended above the die line.

Springs compress, the pilot lifter recedes to die line while retaining the material on pilots and against the stripper face.

While the die is in the open position, the pilot lifters lift the material in conjunction with stocklifter guides and moves the material past the other forming components to the next station.

**Advantages:**

- 1) Supports the material while the pilot punch is entering through the material for position, location and facilitates indexing.
- 2) Works in conjunction with stocklifter guides to move the material to the next station without damaging material or form tools in the die.

	Qty	Material	Rockwell
	O.D. ±.0002"; Concentricity ±.003" unless specified		
For Office Use Only	Date Req'd	P.O. Date	
	P.O. #		
Customer name and address			