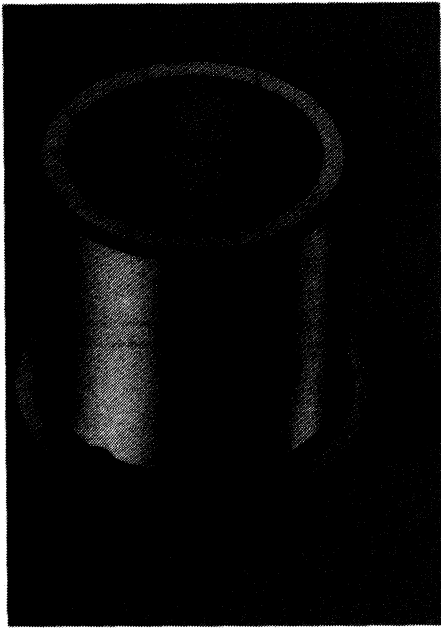




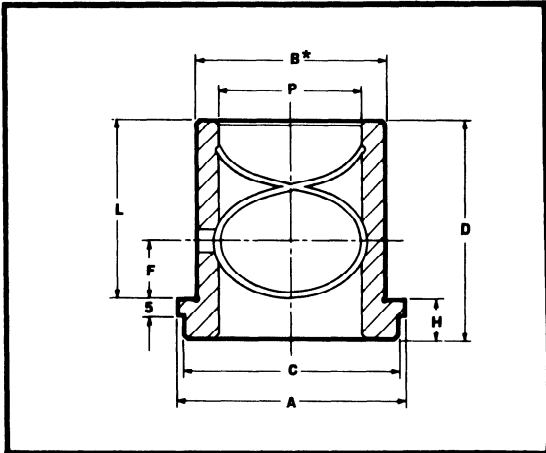
METRIC

Lamina INC Bronze Plated Guide Bushings



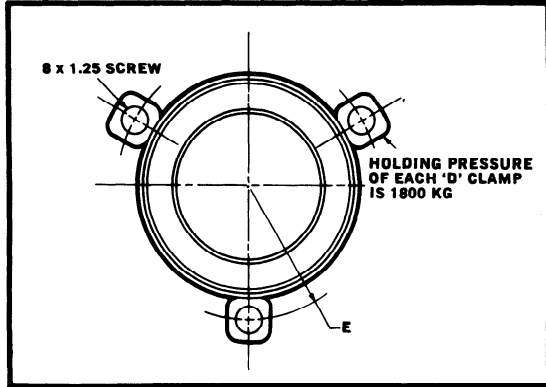
With Short Shoulders

GENERAL DIMENSIONS						
P	A	B*	C	E	F	No. of "D" CLAMPS
19 (.748)	34 (1.339)	28 (1.102)	29 (1.142)	22.5 (.886)	8 (.314)	2
25 (.984)	44 (1.732)	38 (1.496)	39 (1.535)	27.5 (1.083)	12 (.472)	3
32 (1.260)	53 (2.087)	45 (1.771)	48 (1.890)	32.0 (1.260)	15 (.591)	3
40 (1.575)	63 (2.480)	54 (2.126)	58 (2.283)	37.0 (1.457)	19 (.748)	3
50 (1.969)	79 (3.110)	65 (2.559)	74 (2.913)	45.0 (1.772)	19 (.748)	4
63 (2.480)	92 (3.622)	81 (3.189)	87 (3.425)	51.5 (2.028)	19 (.748)	4
80 (3.150)	111 (4.370)	100 (3.937)	106 (4.173)	61.0 (2.402)	19 (.748)	4



P NOM. PIN DIA.	D OVERALL LENGTH	H SHOULDER LENGTH	L WRING-FIT LENGTH	PART NO.
19 (.748)	31 (1.220) 50 (1.969)	13 (.512)	18 (.709) 37 (1.457)	SC-19-S SCL-19-F
25 (.984)	36 (1.417) 55 (2.165)	13 (.512)	23 (.906) 42 (1.654)	SC-25-S SCL-25-F
32 (1.260)	43 (1.693) 60 (2.362)	13 (.512)	30 (1.181) 47 (1.850)	SC-32-S SCL-32-F
40 (1.575)	51 (2.008) 67 (2.638)	13 (.512)	38 (1.496) 54 (2.126)	SC-40-S SCL-40-F
50 (1.969)	61 (2.402) 75 (2.953)	13 (.512)	48 (1.890) 62 (2.441)	SC-50-S SCL-50-F
63 (2.480)	74 (2.913) 90 (3.543)	13 (.512)	61 (2.402) 77 (3.031)	SC-63-S SCL-63-F
80 (3.150)	91 (3.583)	13 (.512)	78 (3.071)	SC-80-S

Bushings must be wring-fitted and clamped into die shoe.



*.397 (.015) Stock Left On This Diameter For Grinding
 Bushing can also be finished ground at additional cost.
 Please specify grind.
 LDSS=Nominal $\begin{matrix} +.000 \\ -0.010 \end{matrix}$ $\begin{pmatrix} +.000 \\ -.0004 \end{pmatrix}$
 Plating Thickness .1016 (.004) -.1270(.005) per side

Bushings with assemblies include bushings, clamps and screws.
 Specify Bushing Number and Assembly.