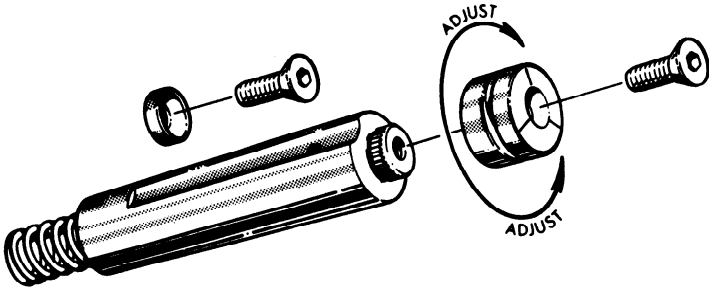




MATIS

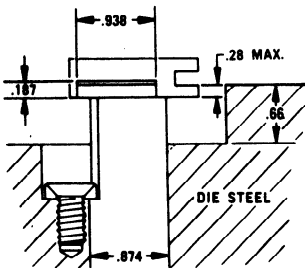
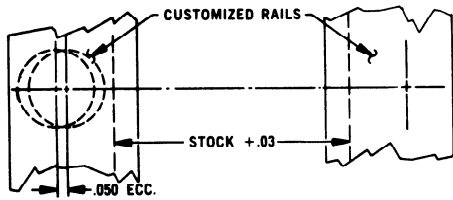
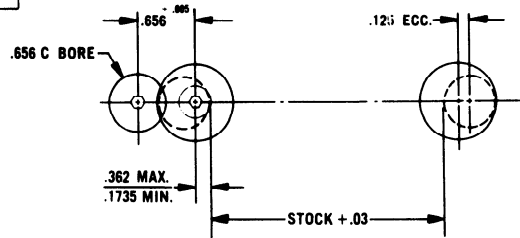
ADJUSTABLE STOCK LIFTERS



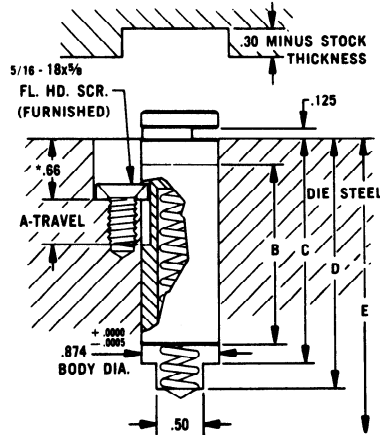
- HARDENED & PRECISION GROUND
- INTERCHANGEABLE - REPLACEABLE HEADS
- ENGINEERED SPRINGS FOR UNIFORM LOADS AND LONG LIFE
- ADJUSTABLE GUIDE SLOT-ONE BORE LOCATION
- MINIMUM SPRING DEPTH-RELATIVE TO STROKE
- STOCKED - NATIONWIDE DISTRIBUTION
- ADAPTERS-FOR CUSTOM RAILS
- MARKED FOR EASY ALIGNMENT
- VENTED

MODEL NO. (STD)	MODEL NO. (RAIL)	A	B	C	D	E	STD. MODEL HEAD
SLA - .50	SLRA - .50	.50	2.00	2.44	2.78	3.00	SLA - .50 H
-.75	-.75	.75	2.25	2.69	3.22	3.75	-.75 H
-1.00	-1.00	1.00	2.50	2.94	3.75	4.82	-1.00 H
-1.25	-1.25	1.25	2.75	3.19	4.28	5.50	-1.25 H
-1.50	-1.50	1.50	3.00	3.44	4.81	6.38	-1.50 H
-1.75	-1.75	1.75	3.25	3.68	5.34	7.25	-1.75 H
-2.00	-2.00	2.00	3.50	3.94	5.78	8.00	-2.00 H

WHEN ORDERING - SPECIFY QUANTITY AND COMPLETE MODEL OR PART NO.
WHEN ORDERING REPLACEMENT HEADS ONLY - GIVE MODEL NO. COMPLETE WITH SUFFIX "H" AS SHOWN
EACH LIFTER COMES PACKAGED COMPLETE - BODY, HEAD (OR RAIL ADAPTER), SPRING, SCREWS & RETAINER



MODEL-SLRA
LIFTER WITH ADJUSTABLE RAIL ADAPTERS
ALL APPLICABLE DIMENSIONS NOT SHOWN - SAME AS STD. STOCK LIFTER



MODEL-SLA
STANDARD ADJUSTABLE STOCK LIFTER
UP TO 1/2" THICK STOCK
APPROX. 8# LIFTING PRESSURE IN UP POSITION

*DEPTH IS FOR STANDARD TRAVEL INCREMENTS OF 1/4 INCH
INCREASE DEPTH TO DECREASE TRAVEL BETWEEN STANDARD SIZES

Sizes ± .001

I.D.	O.D.	THICKNESS				
3/4" (.750)	1" (1.000)	.010	6/64	.020	1/32	1/16
5/8" (.625)	7/8" (.875)	.010	1/64	.020	1/32	1/16
1/2" (.500)	3/4" (.750)	.010	1/64	.020	1/32	1/16
3/8" (.375)	9/16" (.562)	.010	1/64	.020	1/32	1/16
5/16" (.3125)	7/16" (.4375)	.010	1/64	.020	1/32	1/16
1/4" (.250)	3/8" (.375)	.010	1/64	.020	1/32	1/16

STRIPPER BOLT WASHERS

FOR SHORTENING OR LENGTHENING STRIPPER BOLTS