

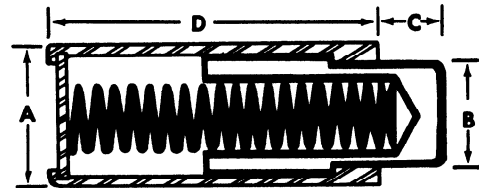


APPLIED MECHANICS CORP.

Amcor
DIE STOP PINS

- DRILL & REAM HOLE
- PRESS IN PLACE
- RUGGED
- CASE HARDENED PIN
- SIMPLICITY OF INSTALLATION
- CAD PLATED – NO RUST
- COMPACT – MIN. SPACE REQ'D
- NUMEROUS APPLICATIONS

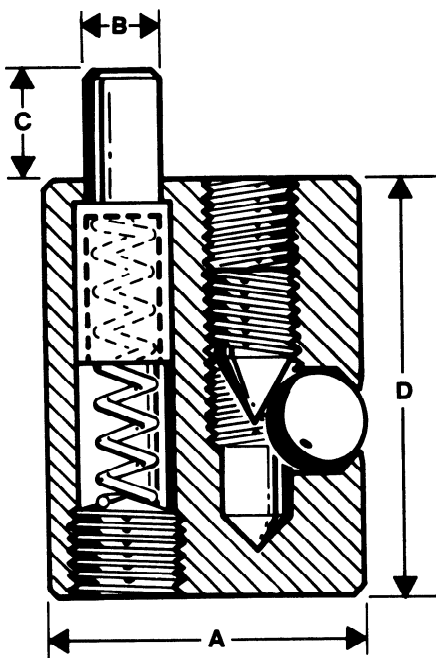
Packed Twelve Per Package
Sold in Full Packs Only
Order by Stock Number



STOCK NO.	A	B	C	D	APPROX END PRESSURE
DSP-2	1/2	3/8	1/4	1-1/8	3-1/2 lbs.
DSP-4	3/8	1/4	3/16	25/32	3 lbs.
DSP-6	5/16	3/16	3/16	9/16	2-1/2 lbs.
DSP-8	1/4	5/32	1/8	1/2	1-1/4 lbs.

Amcor
ECCENTRIC GAUGE STOPS

FOR POSITIVE ON-PRESS ADJUSTMENTS



- DRILL & REAM HOLE
- DROP IN PLACE
- REVOLVE TO ADJUST
- SET SCREW TO LOCK
- CASE HARDENED PIN
- NUMEROUS APPLICATIONS

ORDER BY STOCK NUMBER



STOCK NO.	A	B	C	D	MAX ADJ.
EGS-1	.499	.156	.156	.750	.218
EGS-2	.748	.187	.187	1.000	.375
EGS-3	.998	.250	.312	1.312	.500
EGS-4	1.24	.375	.500	1.312	.625