



HOIST RINGS

Side-Pull Hoist Rings

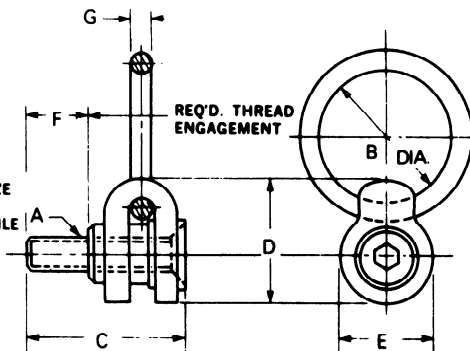


Convenient Part Handling

Jergens full swivel and pivot action allows you to flip and turn parts without unhooking. Plus, the extra-large diameter rings let you use almost any size hook.

Rated at 5:1 Strength Factor.

- Material: Alloy Steel
- Clevis, Ring, Bushing and Cap Screw are magnetic particle inspected.
- Clevis is x-rayed.
- Finish: Black Oxide



Side-Pull Hoist Rings

PART NUMBER	LOAD * CAPACITY	A	B	C	D	E	F	G	THREAD TORQUE*	WT. (#)
47311	650	5/16-18	2	2 1/8	2	1 1/2	5/8	3/8	3.5	.25
47312	800	3/8-16	2	2 3/8	2	1 1/2	3/4	3/8	4.5	.25
47313	1800	1/2-13	3	3 3/8	3 3/16	2 3/8	1	5/8	15.0	3.25
47314	2500	5/8-11	3	3 5/8	3 3/16	2 3/8	1 1/4	5/8	25.0	3.25
47315	4100	3/4-10	4	5	5	3 3/4	1 1/2	1	50.0	11.25
47316	7100	1-8	4	5 5/8	5	3 3/4	2	1	90.0	11.50
47317	14000	1 1/4-7	6	6 7/8	6 13/16	4 5/8	2	1 1/8	150.0	27.75
47318	17200	1 1/2-6	6	7 7/8	6 13/16	4 5/8	2 1/2	1 3/8	250.0	31.50
47319	29000	2-4 1/2	5 1/4 x 10 1/2	10	6 13/16	4 5/8	3 3/8	1 1/2	300.0	42.00

REPLACEMENT BOLTS

PART NUMBER	THREAD SIZE	WT. (#)
47341	5/16-18	.05
47342	3/16-16	.06
47343	1/2-13	.17
47344	5/8-11	.28
47345	3/4-10	.59
47346	1-8	1.27
47347	1 1/4-7	2.50
47348	1 1/2-6	4.70
47349	2-4 1/2	9.50

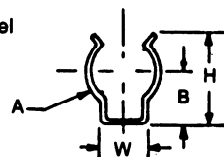
* Stated load capacity based on specific thread torques as shown in chart.

★ It is recommended that these torques (lb.-ft.) be used when installing hoist rings.

Hoist Ring Hold Down Clips

Two or more Hoist Ring Hold Down Clips should be used to prevent ring movement when the hoist ring is not in use. These simple spring steel clips prevent ring movement, provide an additional safety feature when used around machine tools and give a neat finished appearance.

- Material: Spring Steel
- Finish: Cadmium



PART NUMBER	DIAMETER A	B	C	D	E	H	W	L
47331	3/8	.330	—	.250	.125	.575	.320	.500
47332	1/2	.388	.250	.125	.151	.712	.385	.500
47333	5/8	.450	.250	.125	.151	.832	.385	.500
47334	3/4	.513	.312	.156	.151	1.000	.385	.625
47335	1	.683	.312	.188	.188	1.133	.510	.687
47336	1-1/4	.750	.625	.187	.162	1.370	1.330	1.000
47337	1-3/8	.880	.312	.188	.188	1.439	.510	.688
47338	1-1/2	.850	.500	.925	.103	1.650	1.650	.500
47339	1-3/4	1.070	.312	.188	.130	1.830	.780	.688

